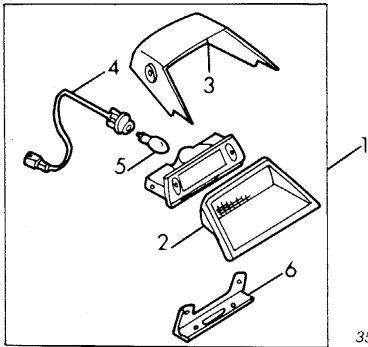


# MAZDA 626 1993-97

## REAR LAMPS Cont'd

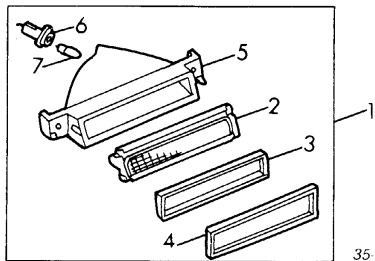
### HIGH MOUNT STOP LAMP ON PACKAGE TRAY 4 DOOR Cont'd



35-1044

- 4 Socket (a) GJ29-51-584A
  - 5 Bulb (a) 0000-11-1156
  - 6 Bracket, Lamp (a) GJ29-51-598
- (a) Included w/Stop Lamp Assy

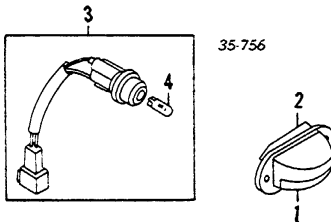
### HIGH MOUNT STOP LAMP ON LIFTGATE 5 DOOR



35-1045

- 1 Lamp Assy, Stop GJ37-51-580
  - 2 Lens† GJ37-51-583
  - 3 Protector† GJ37-51-589
  - 4 Gasket† GJ37-51-582
  - 5 Body† GJ37-51-585
  - 6 Socket† BJ38-51-584
  - 7 Bulb† 0000-11-1156
- †Included w/Stop Lamp Assy

### LICENSE LAMP 4 DOOR 1988-89



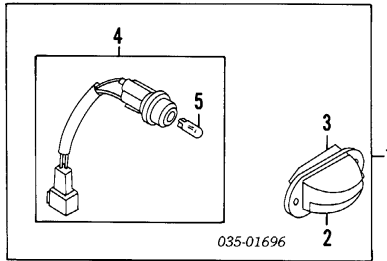
35-756

- 1 Lens R/L GJ21-51-281A
  - 2 Gasket, Lens R/L G030-51-282
  - 3 Socket w/Bulb Assy R/L GJ83-51-290
  - 4 Bulb† R/L 0000-11-0194
- †Included w/Socket w/Bulb Assy

### LICENSE LAMP 4 DOOR 1990-91

Illustration Located in Next Column

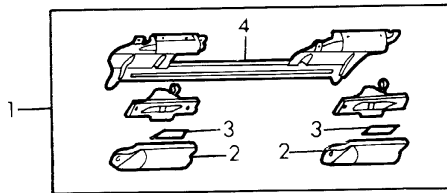
- 1 Lamp Assy, License R/L 8BG5-51-270A
- 2 Lens† R/L GJ21-51-281A
- 3 Gasket Lens† R/L G030-51-282
- 4 Holder Assy, Bulb† R/L GJ83-51-290
- 5 Bulb† (a) R/L 0000-11-0194



035-01696

- †Included w/License Lamp Assy
- (a) Included w/Bulb Holder Assy

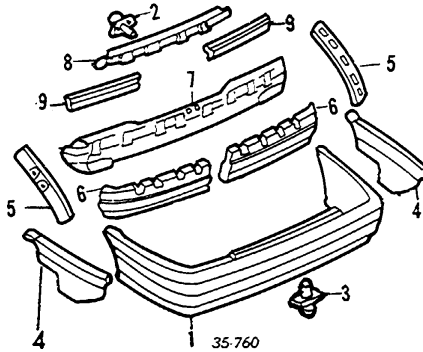
### LICENSE LAMP 5 DOOR



35-759

- 1 Lamp Assy, License G225-51-270C
  - 2 Lens† R/L G225-51-274B
  - 3 Gasket, Lens† R/L G225-51-273
  - Bulb† R/L 0000-11-0168
  - 4 Bracket, Lamp† R/L G225-51-277
- †Included w/License Lamp Assy

## REAR BUMPER



35-760

- 1 Cover, Rear  
Paint to Match  
USA G215-50-221  
Canada N.A.  
Leather Pkg 91-92 GN51-50-221
- Tape, Stripe Bumper  
Leather Pkg 91-92 R GN51-50-222-5G  
L GN51-50-228-5G
- Fastener  
2 Upper (10) BF67-50-235  
3 Lower (10) BF67-50-033
- 4 Support, Slide R/L G215-50-253-4
- 5 Seal, Side R/L G211-50-357-8
- 6 Absorber, Impact R G215-50-223  
L G215-50-224  
GJY0-50-26XA
- 7 Bar, Reinforcement  
Retainer, Bumper G215-50-229
- 8 Center R G215-50-201  
L G215-50-251
- 9 Outer Lower

# MAZDA 626 1993-97

## SECTION INDEX

A/C /HEATER .....	158
A/C REFRIGERANT CAPACITIES .....	158
ABS/BRAKES .....	160
AIR BAG SYSTEM .....	160
AIR CLEANER .....	163
BACK WINDOW .....	170
CENTER CONSOLE .....	165
CLEAR COAT IDENTIFICATION .....	156
COOLING .....	158
COWL & DASH .....	165
CRUISE CONTROL SYSTEM .....	160
ELECTRICAL .....	164
EMISSION SYSTEM .....	164
ENGINE .....	162
ENGINE/TRANS MOUNTS .....	163
EXHAUST .....	163
FRONT BUMPER .....	157
FRONT DOOR .....	167
FRONT DRIVE AXLE .....	161
FRONT FENDER .....	159
FRONT INNER STRUCTURE .....	159
FRONT LAMPS .....	157
FRONT SEAT .....	166
FRONT STEERING LINKAGE/GEAR .....	161
FRONT SUSPENSION .....	161
FUEL TANK .....	172
GRILLE .....	157
HOOD .....	158
INFORMATION LABELS .....	156
INSTRUMENT PANEL .....	165
LUGGAGE LID .....	171
PAINT CODE LOCATION .....	156
QUARTER PANEL .....	170
REAR BODY .....	172
REAR BUMPER .....	173
REAR DOOR .....	169
REAR LAMPS .....	172
REAR SEAT .....	167
REAR SUSPENSION .....	171
ROCKER/PILLARS/FLOOR .....	166
ROOF .....	170
SEAT BELTS .....	167
SPECIAL CAUTIONS .....	156
STEERING PUMP .....	162
STEERING WHEEL/COLUMN .....	162
SUNROOF .....	170
UNDERHOOD DIMENSIONS .....	159
WHEEL .....	160
WINDSHIELD .....	164

## SPECIAL CAUTIONS

### SUPPLEMENTAL RESTRAINT SYSTEM

Refer to Procedure Explanation 29 for Supplemental Restraint/Air Bag Special Cautions.

## SUSPENSION

Manufacturer advises that some new fasteners must be used whenever old fasteners are loosened or removed.

## PAINT CODE LOCATION

Paint code located on left lock pillar.

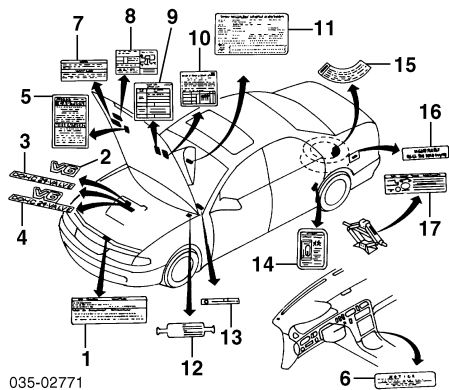
## CLEAR COAT IDENTIFICATION

All metallic colors and Code PD are clear coat.

## INFORMATION LABELS

Illustration Located in Next Column

- 1 Fan Caution  
To VIN 504908 KL01-15-031  
From VIN 504908 FS16-15-031
- Logo
- 2 6 Cyl K805-13-307



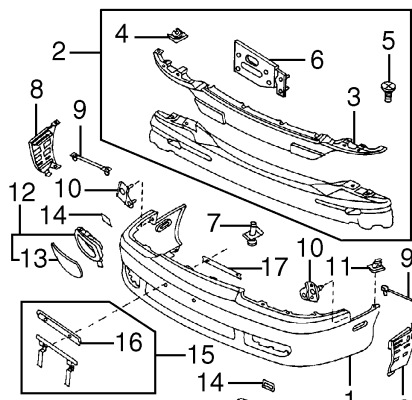
035-02771

- 3 DOHC 24 Valve K805-13-309
- 4 6 Cyl DOHC 24 Valve K805-13-309A
- 5 **Caution**  
A/C GA2A-61-439A  
Lifting Point GC1M-37-797
- Air Bag Caution**
- 6 On Dash FD01-57-K92
- 7 On Hood KA78-57-K91
- 8 **Emission Info**  
USA  
4 Cyl  
w/Calif Emission  
1993-94 GA2C-69-036B  
1995-96  
Man Trans GC1N-69-036  
Auto Trans GC1P-69-036  
1997  
Man Trans GE7J-69-036  
Auto Trans GE7K-69-036  
w/o Calif Emission  
1993-94 GA2A-69-036  
1995-96 GC1M-69-036  
1997  
Man Trans GD4T-69-036  
Auto Trans GD4V-69-036
- 6 Cyl  
w/Calif Emission 93-94 GA2G-69-036C  
95-96 GC1T-69-036  
97 GD5A-69-036  
93-94 GA2E-69-036  
95-96 GC1S-69-036  
97 N.A.
- Canada  
4 Cyl N.A.  
Man Trans N.A.  
Auto Trans N.A.  
6 Cyl N.A.
- †Order by Application
- 9 **Oil Info** GA2A-69-D21A
- 10 **Bolt Caution**  
4 Cyl FS01-69-082A  
6 Cyl  
To VIN 539404 KL01-69-082A  
From VIN 539404 KL01-69-082B
- 11 **Tire Pressure**  
4 Cyl GA2K-69-014  
6 Cyl 93-95 GA2P-69-014  
96-97 GD1J-69-014  
GA2A-67-MX1  
GJ51-69-068A  
NA01-69-068A
- 12 **Air Bag Caution**
- 13 **VIN Plate Caution**  
Rivet Caution 93 GJ21-69-A13  
94-97 GJ51-69-A13
- 14 **Child Proof**  
To 7-10-96 BJ79-72-301  
From 7-10-96 GC1M-72-301
- 15 **Temporary Tire**  
To 6-13-96 GL01-69-073  
From 6-13-96 GD1E-69-073A  
UB40-69-C61
- 16 **Unleaded Fuel**
- 17 **Jack Caution** 93-94 GA2A-37-799  
95-97 GC1M-37-797

**FRONT BUMPER**

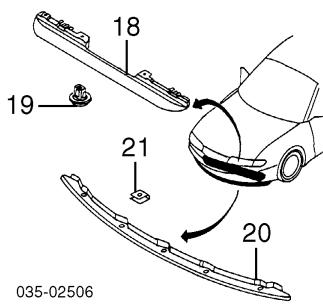
Illustration Located in Next Column

- 1 **Cover, Front (P)** GAY5-50-03XB-00  
(P) Paint to Match
- 2 **Reinforcement Assy** GA2K-50-070H  
Retainer, Cover GA2K-50-0K1
- 3 **Clip, Retainer (5/Side)** R/L B455-50-038
- 4 **Screw (7/Side)** R/L GA2A-50-26
- 5 **Plate, Junction (1)** R GA2A-50-0G8D  
L GA2A-50-0H8D  
†Included w/Reinforcement Assy
- 6 **Fastener, Cover (3)** BF82-50-233
- 7 **Retainer, Cover Side** R GA2K-50-0J1A  
L GA2K-50-0J5A
- 8 **Bracket, Cover Side** R/L GA2E-50-160
- 9 **Plate, Cover Side** R GA2K-50-1B0



035-02505

- 11 **Grommet** L GA2K-50-1C0  
R/L GA2A-50-0Z5
- 12 **Cover Assy, Lamp** R GA2K-50-C1XC-00  
1993-95 (P) L GA2K-50-C1YC-00
- 1996-97 R GD1F-50-C11A-03  
Black L GD1F-50-C15A-03  
Dark Gray R GD1F-50-C11A-03  
L GD1F-50-C15A-03
- (P) Paint to Match
- 13 **Cover, Lamp Hole (1)** R GA2K-50-C12  
1993-95 L GA2K-50-C16
- 1996-97-Serviced w/Lamp Cover Assy  
†Included w/Lamp Cover Assy
- 14 **Clip, Lamp Cover (2/Side)** R/L GJ21-50-049
- 15 **Frame Assy, License** GA2A-50-170
- 16 **Retainer, Frame Front (1)** GN81-50-183  
†Included w/License Frame Assy
- 17 **Retainer, Frame Rear** GD7A-50-180

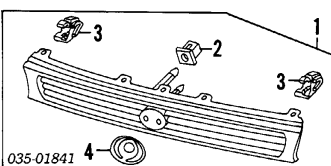


035-02506

- 18 **Spoiler, Upper Air** KA79-50-AH1C
- 19 **Grommet, Upper Spoiler (2)** KA78-50-AF4
- 20 **Spoiler, Lower Air** GA2K-50-9J1A
- 21 **Nut, Clip (5)** H260-50-039

**GRILLE**

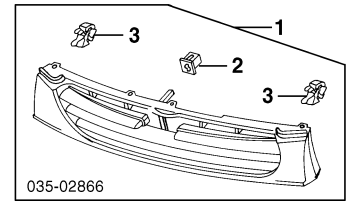
1993-95



035-01841

- 1 **Grille Assy** GA2K-50-710B-00  
1993 (P)  
1994-95  
Body Color (P)  
Bright  
(P) Paint to Match
- 2 **Fastener, Grille (2)** GA2K-50-708
- 3 **Clip, Grille (4)** B092-50-715
- 4 **Emblem (1)** GA2L-51-731
- Clip, Emblem (2)** BB05-50-717  
†Included w/Grille Assy

1996-97

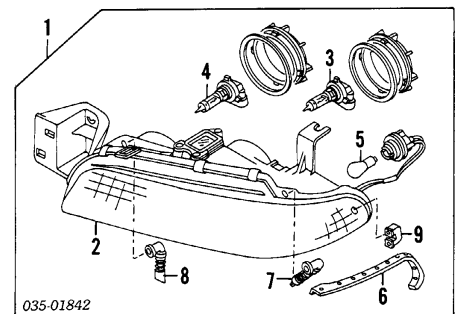


035-02866

- 1 **Grille Assy (P)** GD1E-50-710C-00  
(P) Paint to Match
- 2 **Fastener, Grille (a) (2)** GA2K-50-708
- 3 **Clip, Grille (a) (4)** B092-50-715  
(a) Included w/Grille Assy

**FRONT LAMPS**

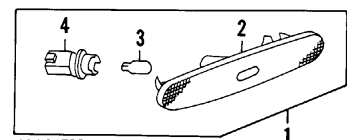
**COMBINATION LAMP**



035-01842

- 1 **Lamp Assy** R 8DGV-51-030A  
L 8DGV-51-040A
- 2 **Lens & Body (1)** R GA2K-51-0K0E  
L GA2K-51-0L0E
- 3 **Bulb, Headlamp Outer (1)** R/L 0000-11-9006
- 4 **Bulb, Headlamp Inner (1)** R/L 0000-11-9005
- 5 **Bulb, Signal (1)** R/L 0000-11-1157-NA
- 6 **Protector (1)** R GA2K-51-065  
L GA2K-51-075
- 7 **Hose, Headlamp Outer (1)** R/L GA2L-51-069
- 8 **Hose, Headlamp Inner (1)** R/L GA2M-51-069
- 9 **Hose, Signal (1)** R/L GA2K-51-011  
†Included w/Lamp Assy

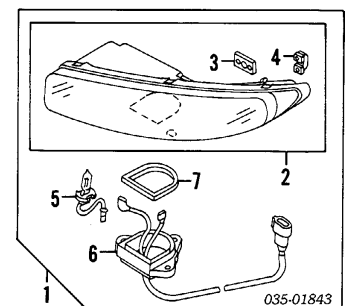
**SIDE MARKER LAMP**



035-01792

- 1 **Lamp Assy** R GA2A-51-5E0A  
L GA2A-51-5F0A
- 2 **Lens & Body (1)** R GA2A-51-5E1A  
L GA2A-51-5F1A
- 3 **Bulb (1)** R/L 0000-11-0194
- 4 **Socket (1)** 93-94 R/L NA01-51-5E2  
95-97 R/L BJ38-51-584  
†Included w/Lamp Assy

**FOG LAMP**



035-01843

- 1 **Lamp Assy** R GA2K-51-680E  
L GA2K-51-690E
- 2 **Lens & Body Assy (1)** R GA2K-51-68YE  
L GA2K-51-69YE
- 3 **Brkt, Lamp (a) (2/Side)** R/L GA2K-51-694B

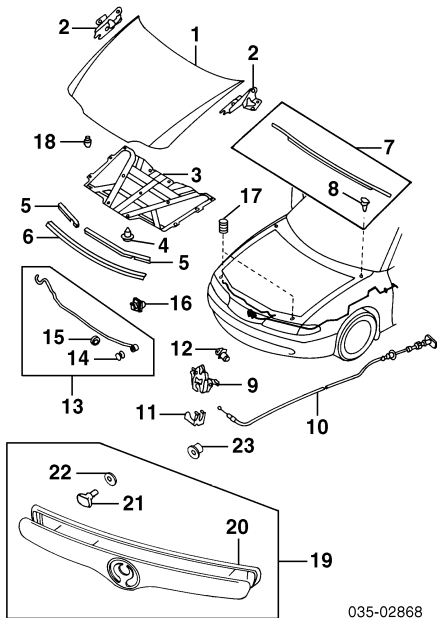
# MAZDA 626 1993-97

## FRONT LAMPS Cont'd

### FOG LAMP Cont'd

- 4 Hose, Lens (a) R/L GA2A-51-6H8  
(a) Included w/Lens & Body Assy
- 5 Bulb R/L 0000-11-0H3
- 6 Socket w/Wire R/L GA2A-51-6G4A
- 7 Gasket R/L GA2A-51-682  
\*Included w/Lamp Assy

## HOOD



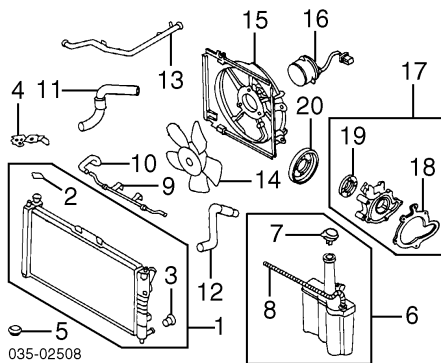
- 1 Panel, Hood 93-95 GAYK-52-310A  
96-97 GD1E-52-310F
- 2 Hinge R GA2K-52-410B  
L GA2K-52-420B
- 3 Insulator 93-95 GA2K-68-601A  
96-97 GD1E-56-681
- 4 Clip, Insulator (13) GA2A-56-694
- 5 Seal, Hood 93-95 R GA2K-56-730A  
L GA2K-56-750B  
96-97 R GD1E-56-77X  
L GD1E-56-77Y
- 6 W/Strip, Hood Front 93-95 GA2K-56-770D  
96-97 GD1E-56-770A
- 7 Weatherstrip Assy, Hood Rear GA2K-56-760B
- 8 Retainer, W/Strip R/L G031-58-762  
\*Included w/Hood Rear Weatherstrip Assy
- 9 Latch w/Theft Deterrent GA2L-56-620A  
w/o Theft Deterrent GA2K-56-620A
- 10 Cable, Release GA2K-56-720A
- 11 Fastener, Cable LA01-56-631
- 12 Clip, Cable R/L D001-56-731
- 13 Rod Assy, Prop GA2A-56-650C
- 14 Retainer, Rod Rear GA5R-56-695
- 15 Spacer, Rod (2) GA2A-52-512  
\*Included w/Prop Rod Assy
- 16 Retainer, Rod Front GA2K-56-693A
- 17 Cushion, Hood Front Outer R/L A001-56-786
- 18 Cushion, Hood Front Inner R/L B092-62-877
- 19 Moulding Assy, Hood 1993-95-Not Applicable  
1996-97 GD1E-50-4A0D  
GD1E-50-4A2D
- 20 Protector, Mldg GD1E-50-4A9A
- 21 Bolt, Moulding (4) GD1E-50-4A8
- 22 Gasket, Bolt (4) GD1E-50-4A8  
\*Included w/Hood Moulding Assy
- 23 Nut, Moulding (4) LA01-50-4KYA

## COOLING

### 4 CYL

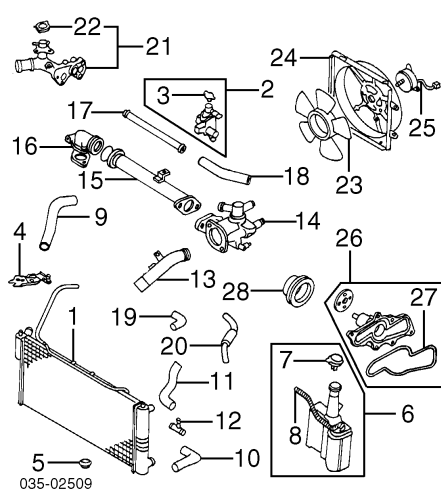
Illustration Located in Next Column

- 1 Radiator Assy Man Trans FS11-15-200D  
Auto Trans FS12-15-200E
- 2 Cap, Radiator AS01-15-205
- 3 Plug, Drain A901-15-203  
\*Included w/Radiator Assy
- 4 Brkt, Radiator R FS25-15-240B



- 5 Mount, Radiator L FS25-15-250B  
Man Trans 1993-94 K802-15-202  
1995-97 w/A/C R/L K804-15-202  
w/o A/C R/L K802-15-202  
Auto Trans 1993-95 w/A/C R/L FS02-15-202  
w/o A/C R/L K802-15-202  
1996-97 w/A/C R/L FP12-15-202  
w/o A/C R/L FS91-15-202
- 6 Tank Assy, Coolant FS11-15-350D
- 7 Cap, Tank FS11-15-355
- 8 Hose, Water 9932-40-757  
\*Included w/Coolant Tank Assy
- 9 Pipe, Coolant FS01-15-190C
- 10 Hose, Coolant FS01-15-381
- 11 Hose, Rad Upper 93-94 FSM1-15-185A  
95-97 FSC4-15-185
- 12 Hose, Rad Lower 93-94 FS05-15-186  
95-97 FSC4-15-186  
FS01-15-290C
- 13 Pipe, By-Pass FS01-15-190C
- 14 Blade, Fan 1993-95 FE68-15-140A  
Man Trans FE68-15-140  
Auto Trans FE68-15-140  
1996-97 FE68-15-140A
- 15 Shroud, Fan 1993-95 FS11-15-210  
Man Trans FS12-15-210A  
Auto Trans FS11-15-210
- 16 Motor, Fan 93-94 FS11-15-150  
Man Trans FS59-15-150  
95-97 FS59-15-150  
Auto Trans 93-94 KL20-15-150  
95 KL56-15-150  
96-97 FS59-15-150
- 17 Pump Assy, Water 8A69-15-010
- 18 Gasket, Water Pump FS02-15-116
- 19 Plate, Pulley FS01-15-117A  
\*Included w/Water Pump Assy
- 20 Pulley, Pump FS01-15-131

### 6 CYL



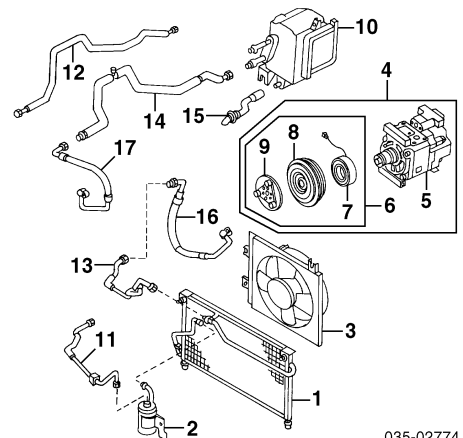
- 1 Radiator Man Trans KL11-15-200D  
Auto Trans KL12-15-200D
- 2 Tank Assy, Expansion KL78-15-35X
- 3 Cap, Expansion Tank KL11-15-205A
- 4 Brkt, Radiator R FS25-15-240B

- 5 Mount, Radiator L FS25-15-250B  
R/L K802-15-202
- 6 Tank Assy, Coolant FS11-15-350D
- 7 Cap, Tank FS11-15-355
- 8 Hose, Tank 9932-40-757  
\*Included w/Coolant Tank Assy
- 9 Hose, Rad Upper 93-94 KL05-15-186  
95-97 KL56-15-186
- Hose, Rad Lower 93 KL05-15-189A  
94-97 KL56-15-189  
93-94 KL05-15-185B  
95-97 KL56-15-185  
KL01-15-197
- 10 Union K805-15-180C
- 11 Water Pipe KL01-15-172
- 12 Pipe, Water KL01-15-190B
- 13 Cover, Thermostat KL01-15-161A
- 14 Pipe, Front Water KL01-15-270
- 15 Inlet, Water Pump KL01-15-261
- 16 Pipe, Water By-Pass KL11-15-183
- 17 Hose, Crossover 93-94 KL01-15-184D  
95-97 KL56-15-184
- 18 Hose, Upper By-Pass 93-94 K817-15-172D  
95-97 KL61-15-172C
- 19 Hose, Lwr By-Pass 93-94 KF01-15-205  
95-97 KL61-15-205  
\*Included w/Water Outlet Assy
- 20 Outlet Assy, Water 1993-94 FS12-15-140  
Man Trans KL12-15-140  
Auto Trans FS12-15-140  
1995-97 FS12-15-140A
- 21 Blade, Fan 93-94 FS12-15-210A  
Man Trans FS12-15-140  
Auto Trans FS12-15-140
- 22 Shroud, Fan 93-94 KL20-15-150  
95-97 KL56-15-150
- 23 Motor, Fan 8A27-15-010
- 24 Pump Assy, Water KL01-15-106
- 25 Gasket, Water Pump \*Included w/Water Pump Assy
- 26 Pulley, Water Pump KL47-15-131

## A/C REFRIGERANT CAPACITIES

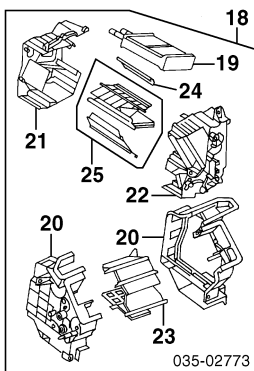
- A/C R-12 Refrigerant Capacity 1993: 26 Ozs (1.62 Lbs)
- A/C R-134 Refrigerant Capacity 1994-97: 24.7 Ozs (1.54 Lbs)

## A/C /HEATER

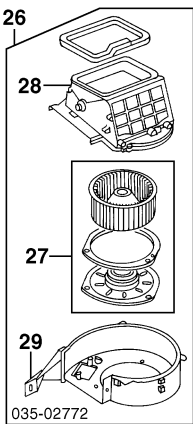


- 1 Condenser GB6H-61-480
- 2 Receiver/Drier GB6H-61-500
- 3 Fan, Condenser 4 Cyl To 6-13-95 GA2A-61-710A  
From 6-13-95 GD1E-61-710  
6 Cyl GA2E-61-710A
- 4 Compressor Assy 93-94 GA2A-61-450  
4 Cyl 95-97 GB6H-61-450D  
93-94 GA2E-61-450  
95-97 GB6M-61-450D
- 5 Compressor 1993-94 GA2A-61-K00  
1995-96 To 5-7-96 GB6H-61-450D  
From 5-7-96 GB6H-61-450D
- 6 Clutch Assy, Compressor 93-94 GA2A-61-L10  
4 Cyl 95-97 GB6H-61-L10  
6 Cyl 93-94 GA2E-61-L10  
95-97 GB6M-61-L10
- 7 Coil, Clutch (a) 93-94 GA2A-61-L13  
95-97 GB6H-61-L13
- 8 Pulley, Clutch (a) 4 Cyl GA2A-61-L12  
6 Cyl 93-94 GA2A-61-L12  
95-97 GB6M-61-L12
- 9 Armature, Clutch (a) 93-94 D061-61-111  
95-97 GB6H-61-L11  
\*Included w/Compressor Assy  
(a) Included w/Compressor Clutch Assy

- Belt, Alternator-See Electrical Section**
- 10 Evaporator 93-94 GA2A-61-520C  
95-97 GB6H-61-520A
- 11 Pipe, High Pressure Front  
1993-94 GA2A-61-46ZB  
1995-96 GB6H-61-46Z  
1997  
4 Cyl GD4T-61-464  
6 Cyl GD4W-61-464
- 12 Pipe, High Pressure Rear  
Pipe, Low Pressure
- 13 Front 93-94 GA2A-61-469A  
95-97 GB6H-61-469A
- 14 Rear 93-94 GA2A-61-465B  
95-97 GB6H-61-465
- 15 Hose, Drain GA2A-61-52X
- 16 Hose, High Pressure  
4 Cyl GB6H-61-4G0A  
6 Cyl GB6M-61-4G0B
- 17 Hose, Low Pressure  
4 Cyl  
To 11-15-95 GD1E-61-4T0  
From 11-15-95 GD1E-61-462  
6 Cyl GB6M-61-4T0A



- 18 Heater Assy 93 GA2A-61-130B  
94 GB6H-61-130B  
95-97 GC1M-61-130A
  - 19 Core, Heater 93 GA2A-61-A10
  - 20 Case, Heater Outer 93 R GA2A-61-A04  
L GA2A-61-A03
  - 21 Case, Htr Inner Frnt 94-97 R/L GB6H-61-A03-4  
93-94 GA2A-61-A02  
95-97 GC1M-61-A02
  - 22 Case, Htr Inner Rear 93-94 GA2A-61-A01  
95-97 GC1M-61-A01
  - 23 Damper, Heater Outer 93 GA2A-61-A1X  
94-97 GB6H-61-A1X
  - 24 Damper, Htr Inr Upper GA2A-61-A1Z
  - 25 Damper, Htr Inr Lower GA2A-61-A1Y
- †Included w/Heater Assy



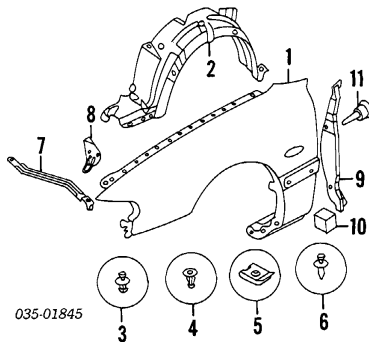
- 26 Blower Assy GA2A-61-140F
  - 27 Motor w/Fan GA2A-61-B10
  - 28 Case, Upper GA2A-61-B01
  - 29 Case, Lower GA2A-61-B02
- †Included w/Blower Assy

**FRONT FENDER**

**SHEET METAL**

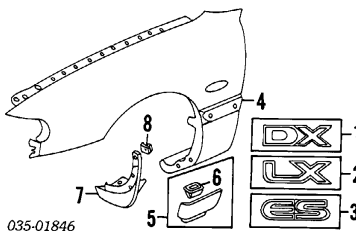
Illustration Located in Next Column

- 1 Fender R GAYK-52-110B



- 2 Liner, Fender L GAYK-52-210B  
R GA2K-56-131A  
L GA2K-56-141A
- Retainer, Fender Liner
- 3 Type A (2/Side) 93-94 R/L B455-56-143  
95-97 R/L UB39-45-919
- 4 Type B (2/Side) 93-94 R/L B455-56-145  
95-97 R/L 0810-56-639
- 5 Type C (2/Side) R/L 8597-61-122
- 6 Type D (9/Side) R/L NA01-56-145
- 7 Stay, Fender R/L GA2K-56-211B
- 8 Hook, Tow R GA2C-53-36X  
L GA2C-54-36X
- 9 Plate, Seal R GA2K-56-391E  
L GA2K-56-396E
- 10 Insulator, Plate R/L GD4T-56-458
- 11 Fastener, Plate (2/Side) R/L GA2A-56-399A

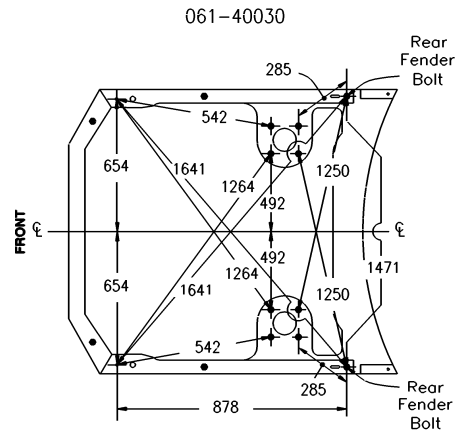
**EXTERIOR TRIM**



- Decal
  - 1 "DX" To 9-13-95 R/L GA2K-51-761-62  
From 9-13-95 R/L GA2K-51-761A
  - 2 "LX" To 9-13-95 R/L GA2M-51-761-62  
From 9-13-95 R/L GC1M-51-761
  - 3 "ES" To 9-13-95 R/L GA2P-51-761-62  
From 9-13-95 R/L GA2P-51-761-62
  - 4 Moulding, Side Adhesive R GA2K-50-681C-00  
L GA2K-50-691C-00
- †Brilliant Black listed. Order by Application  
G1 Sahara Gold Metallic; G3 Arctic Blue Metallic;  
T3 Platinum OPM; J4 Passion Rose; NN Ebony;  
B1 Valencia Rose Mica; UK Performance White;  
5S Neat Green; 56 Opal; 64 New Sahara Gold  
B8 Champagne M; J3 Platinum Opm; J4 Passion Rose;  
PZ Brilliant Black; UA Cameo White; 4Y Caribbean Blue M;  
5S Neat Green MC; G1 Sahara Gold; G3 Arctic Blue;  
16E Sandalwood; C8, 12X Timberline;  
13B Medium Poppy; 11G Opal
- 5 Moulding Assy, Lower  
Clip-On 1993 R GA2K-50-L10A  
L GA2K-50-L20A
  - 1994-97-Not Serviced
  - 6 Clip, Midg (2/Side) R/L H115-50-313A  
†Included w/Lower Moulding Assy
  - 7 Guard, Splash 1993 R GA2L-51-840  
L GA2K-51-850B-5S  
1994-95 R GA7C-51-840A  
L GA7C-51-850A  
1996-97 R GA2M-51-840  
L GA2M-51-850
- †Brilliant Black listed. Order by Application  
B8 Champagne M; J3 Platinum Opm; J4 Passion Rose;  
PZ Brilliant Black; UA Cameo White; 4Y Caribbean Blue M;  
5S Neat Green MC; G1 Sahara Gold; G3 Arctic Blue
- 8 Grommet R/L B092-51-832

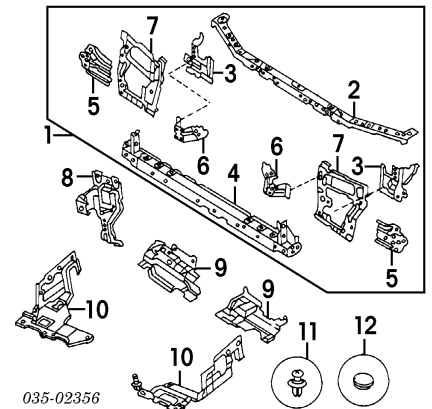
**UNDERHOOD DIMENSIONS**

Illustration Located in Next Column



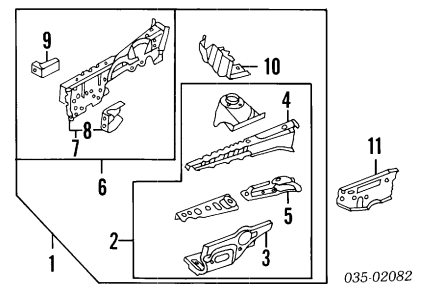
**FRONT INNER STRUCTURE**

FRONT



- 1 Support Assy, Radiator GA2K-53-100W
  - 2 Tie Bar Upper GA2A-53-150E
  - 3 Brkt, Upper Tie Bar R GA2A-53-16YE  
L GA2A-54-16YC
  - 4 Tie Bar Lower GA2A-53-16XH
  - 5 Bracket, Bumper R GA2K-53-12YC  
L GA2K-54-12YC
  - 6 Bracket, Lamp R GA2K-53-12XC  
L GA2K-54-12XC
  - 7 Panel, Shroud R GA2K-53-120  
L GA2K-54-120D
- †Included w/Radiator Support Assy
- 8 Support, Hood Latch GA2K-52-15YB
  - 9 Seal, Rad Support R GA2K-56-381E  
L GA2K-56-382E
  - 10 Cover, Engine Under R GA2A-56-330  
L GA2A-56-341A
  - 11 Retainer, Cover R/L UB39-45-919
  - 12 Cover, Service Hole 0810-56-639

SIDE



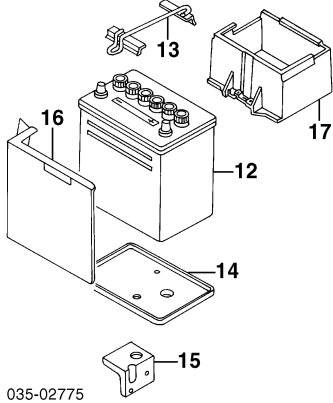
- 1 Apron Assy R GAYK-53-20Y  
L GAYK-54-20Y
- 2 Panel Assy, Apron R GAYK-53-21Y  
L GAYK-54-21Y
- 3 Panel, Apron (a) R GA2A-53-220F  
L GAYA-54-22Y
- 4 Reinf, Upper Apron (a) R GA2K-53-260B  
L GA2K-54-260A
- 5 Reinf, Lower Apron (a) R GA2A-53-270D  
L GA2A-54-270D

# MAZDA 626 1993-97

## FRONT INNER STRUCTURE Cont'd

### SIDE Cont'd

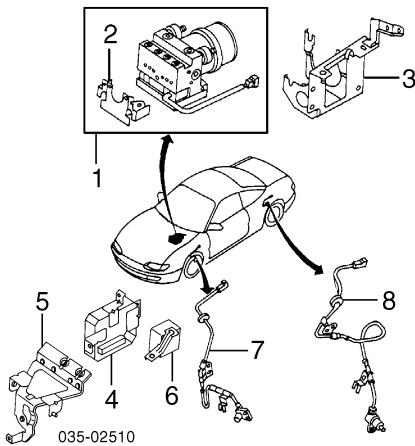
- (a) Included w/Apron Panel Assy
- 6 Frame Assy, Side† R GA2A-53-31XH  
L GA2A-54-31XJ
  - 7 Rail Assy, Frame† (a) R GA2A-53-320F  
L GA2A-54-320G
  - 8 Reinf, Bumper† (a) (b) R GA2A-53-323  
L GA2A-54-323A
- (b) Included w/Frame Rail Assy
- 9 Bracket, Bumper† (a) R/L GA2A-54-335A
- (a) Included w/Side Frame Assy
- 10 Frame, Side† R GA2A-53-390C  
L GA2A-54-390C
- †Included w/Apron Assy
- 11 Reinf, Apron R GA2K-53-291A  
L GA2K-54-291A



035-02775

- 12 Battery-See Electrical Section
- 13 Clamp, Battery GA2A-56-042
- 14 Tray, Battery GA2A-56-040A
- 15 Brkt, Battery Clamp GD7A-56-03Y
- Shield, Battery FS01-18-591D
- 16 To 5-22-96 FSC1-18-591
- 17 From 5-22-96

## ABS/BRAKES



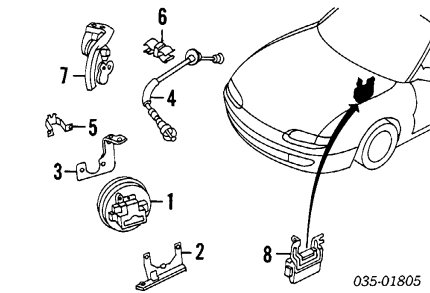
035-02510

- 1 Actuator Assy, ABS
  - 1993-94 GA2G-43-7A0C
  - 1995 GB6N-43-7A0
  - 1996-97 GB6N-43-7A0
  - To 6-24-96 GD4T-43-7A0A
  - From 6-24-96
- 2 Cover, Actuator†
  - To 2-24-92 B603-43-7A4
  - From 2-24-92 GA2G-43-7A4
  - †Included w/ABS Actuator Assy
- 3 Bracket, Actuator
  - 1993-94 GA2G-43-310A
  - 1995 GA2G-43-310B
  - 1996-97 GA2G-43-310B
  - To 6-24-96 GA2G-43-310B
  - From 6-24-96
- 4 Computer, ABS
  - 1993-94 GA2A-67-650
  - 1995 KB42-67-650
  - 1996-97 KB42-67-650
  - To 6-24-96 GD1E-67-650A
  - From 6-24-96
- 5 Bracket, Computer GA2A-67-990A
- 6 Relay, ABS GA2B-67-740A

## Rotor, Sensor Frt-See Front Suspension Section

- Rotor, Sensor Rear-See Rear Suspension Section
- 7 Sensor, ABS Front
  - To 12-8-94 R G06T-43-70X  
L G06T-43-73X
  - From 12-8-94 R G06T-43-70X  
L G06T-43-73X
- 8 Sensor, ABS Rear
  - To 5-4-92 R G06T-43-71Y  
L G06T-43-72Y
  - From 5-4-92 R G06T-43-71Y  
L G06T-43-72Y

## CRUISE CONTROL SYSTEM

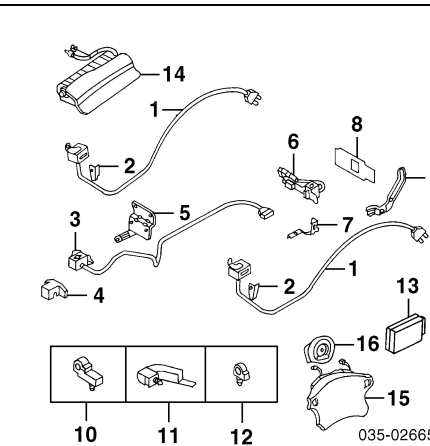


035-01805

- 1 Actuator, Cruise
  - 4 Cyl Man Trans GA2B-66-312
  - Auto Trans GB6H-66-312B
  - 6 Cyl GA2B-66-312
- 2 Brkt, Actuator Front
  - 4 Cyl Man Trans GA2B-66-3A2A
  - Auto Trans GB6H-66-3A2A
  - 6 Cyl GA2B-66-3A2A
- 3 Brkt, Actuator Rear
  - 4 Cyl Man Trans GA2B-66-3A1A
  - Auto Trans-Not Applicable
  - 6 Cyl GA2B-66-3A1A
- 4 Cable, Cruise Control
  - 4 Cyl Man Trans GA2B-66-311B
  - Auto Trans 93 GA2B-66-311B
  - 94-97 GB6H-66-311
- 6 Cyl Man Trans GA2C-66-311
- Auto Trans GA2D-66-311
- 5 Brkt, Cable GA2B-66-3A8
- 6 Clip, Cable UC94-45-960
- 7 Linkage, Cable KL01-13-64X
- 8 Computer, Cruise
  - 4 Cyl Man Trans 93-94 GA2B-66-320C
  - 95-97 GC1M-66-320A
  - Auto Trans 93 GA2B-66-320C
  - 94 GB6H-66-320
  - 95-97 GC1P-66-320A
  - 93-94 GA2B-66-320C
  - 95-97 GC1M-66-320A

## AIR BAG SYSTEM

1993-94



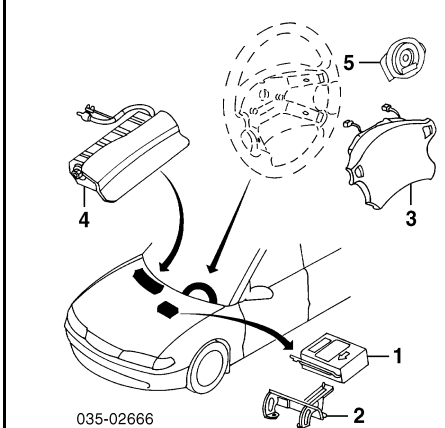
035-02665

- 1 Sensor, Front R GA2A-57-K2XH  
L GA2A-57-K2YF
- 2 Brkt, Front Sensor R GA2A-57-KX2A  
L GA2A-57-KY2A
- 3 Sensor, Center GA2A-57-K1XH
- 4 Cover, Center Sensor GA2A-57-K47A
- 5 Brkt, Center Sensor GA2A-57-KX0C
- 6 Sensor, Inner GA2A-57-K40C
- 7 Brkt, Inner Sensor GA2A-57-KX7C
- 8 Cover, Hole GA2A-57-GW2A

## 9 Clip, Front Sensor Retainer, Sensor

- R/L GA2B-57-K97
- 10 Type A R/L GA2A-57-K92A
- 11 Type B R/L GA2A-57-K95C
- 12 Type C (4/Side) R/L GA2E-57-K96
- 13 Control Unit, Diagnosis Module, Air Bag GA2A-67-7FOA
- 14 Driver Side GB6H-57-K00
- 15 Passenger Side 1994 GC1M-57-K70A-90
- Brown GC1M-57-K70A-29
- Gray GC1M-57-K70A-29
- 16 Clockspring GB6H-66-CS0D

1995-97

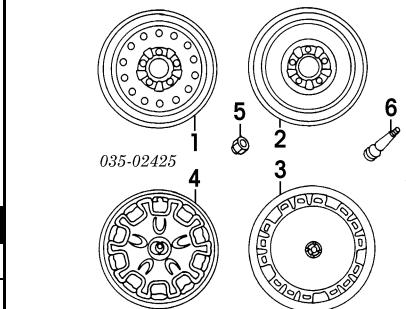


035-02666

- 1 Sensor Unit, Air Bag GE5G-57-K30
- 2 Brkt, Air Bag Sensor GC1M-57-KX0B
- 3 Driver Module, Air Bag GC1M-57-K00
- 4 Passenger Brown GCYP-57-K70-90
- Gray GCYP-57-K70-29
- 5 Clockspring GB6H-66-CS0D

## WHEEL

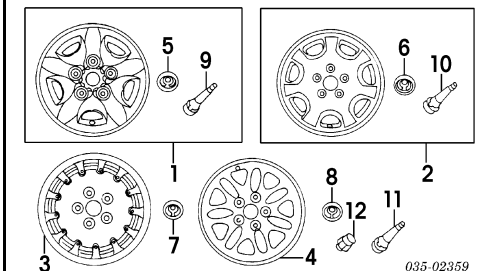
### STEEL WHEEL



035-02425

- 1 Wheel, Steel 93-94 9965-C4-5540
- 95-97 9965-F9-5540
- 9965-21-4050
- 2 Wheel, Spare Cover, Wheel 93-94 GA2K-37-170B
- 3 Smooth Style 95-96 GC1N-37-170B
- 4 Multi-Spoke Style 97 GD1F-37-170
- 5 Nut, Lug 0603-26-161A
- 6 Stem, Valve 93-94 9963-60-4130
- 95-97 9963-60-4130

### ALUMINUM WHEEL



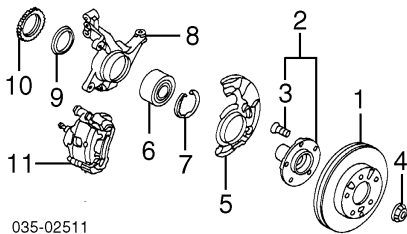
035-02359

- 1 Wheel Assy, 5 Spoke Style 4 Cyl 93-94 8DGP-37-600

# MAZDA 626 1993-97

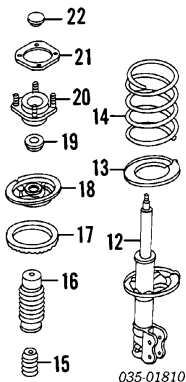
- 2 Wheel Assy, 7 Spoke Style  
6 Cyl 93-94 8DGR-37-600
- 3 Wheel Assy, 3 Piece Style  
4 Cyl 95-97 9965-18-6040
- 4 Wheel Assy, Snowflake Style  
6 Cyl 95-97 9965-A1-6050
- 5 Cap, Center (4 Cyl) 93-94 GA2P-37-192B
- 6 Cap, Center (6 Cyl V6) 93-94 GA2P-37-192B
- 7 Cap, Center (4 Cyl) 95-97 GC1M-37-192
- 8 Cap, Center (6 Cyl V6) 95-97 GC1S-37-192
- Stem, Valve  
1993-94 (1)
- 9 4 Cyl 9963-60-4130
- 10 6 Cyl 9963-60-4130
- 11 1995-97 9963-60-4130
- 12 Nut, Lug B002-37-160A

## FRONT SUSPENSION



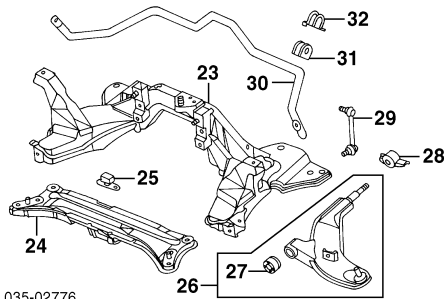
035-02511

- 1 Rotor, Brake R/L GA2Y-33-25XA
- 2 Hub Assy R/L GA2A-33-060D
- 3 Stud, Wheel (1) R/L J00Y-33-062
- 4 Nut, Axle R/L GJ21-33-042B
- 5 Plate, Backing R GA2A-33-261
- 6 Bearing R/L GA2A-33-047D-MV
- 7 Ring, Snap R/L GE4T-33-048
- 8 Knuckle, Steering R GG2A-33-021A
- 9 Seal, Oil R/L GA2A-33-031A
- 10 Rotor, ABS Sensor R/L GA2G-33-471A
- 11 Caliper, Brake R GAYA-33-98ZR
- Hose, Brake R/L GA2A-33-99ZR
- Hose, Brake R/L B455-43-980B



035-01810

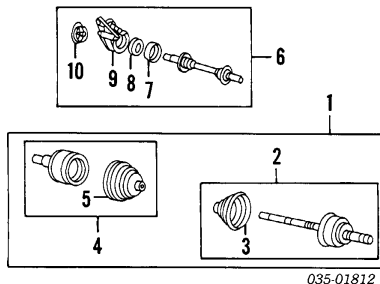
- 12 Strut R GARN-34-700C
- 13 Seat, Lower L GARN-34-900C
- 14 Spring, Coil R/L GA2A-34-0A3A
- 4 Cyl  
Man Trans 93 R/L G508-34-011A
- Auto Trans 94-97 R/L G509-34-011A
- 93 R/L G509-34-011A
- 94-97 R/L G510-34-011A
- 6 Cyl  
Man Trans 93 R/L G510-34-011A
- 94-97 R/L G511-34-011A
- Auto Trans 1993 R/L G511-34-011A
- 1994-95 R/L G518-34-011
- 1996-97 To 1-12-96 R/L G518-34-011
- From 1-12-96 R/L G511-34-011A
- 15 Bumper, Rebound R/L GA2A-34-111
- 16 Cover, Lever R/L GJ21-34-015
- 17 Seal, Seat R/L GA2A-34-012
- 18 Seat, Upper R/L GA2A-34-340
- 19 Plate, Strut Brg R/L GA2A-34-38XA
- 20 Mount, Strut Upper R/L GA2A-34-360
- 21 Gasket, Mount R/L GA2A-34-003
- 22 Cap, Dust R/L 1011-34-019



035-02776

- 23 Crossmember, Susp 4 Cyl GA2A-34-800D
- 6 Cyl GA2A-34-800D
- 24 Member, Transverse 4 Cyl GE4T-34-H90C
- 1993
- 1994 w/Calif Emission Man Trans GB6H-34-H90
- Auto Trans GE4T-34-H90C
- w/o Calif Emission GE4T-34-H90C
- 1995-97 GE4T-34-H90C
- 6 Cyl 1993-95 GA2E-34-H90B
- 1996-97 Man Trans GE4T-34-H90C
- Auto Trans GE6T-34-H90C
- 25 Damper, Transverse GA2A-34-980
- 26 Arm Assy, Lower Control R GA2B-34-300A
- L GA2B-34-350A
- 27 Bushing, Arm Front (1) R/L GA2B-34-470A
- (1) (Included w/Lower Control Arm Assy)
- 28 Bushing, Arm Mount R GA2A-34-46XE
- L GA2A-34-46YE
- 29 Link, Control Arm To 9-13-95 R GA2A-34-150A
- L GA2A-34-170A
- From 9-13-95 R GD1E-34-150
- L GD1E-34-170
- 30 Bar, Stabilizer GA2A-34-151
- 4 Cyl GA2A-34-151
- 6 Cyl GA2A-34-156
- 31 Bushing, Stabilizer R/L GA2A-34-155B
- 32 Brkt, Stab Bushing 93 R/L GA2A-34-155B
- 94-97 R/L GB6H-34-155

## FRONT DRIVE AXLE



035-01812

- 1 Shaft Assy, Axle Man Trans 93 R G568-25-500R-0B
- 4 Cyl L G568-25-600R-0B
- 94-97 R G592-25-500R-0A
- L G592-25-600R-0A
- 6 Cyl 93 R G570-25-500R-0C
- L G570-25-600R-0C
- 94-97 R G594-25-500R-0C
- L G594-25-600R-0C
- Auto Trans 4 Cyl R G584-25-500R-0D
- L G584-25-600R-0A
- 6 Cyl R G594-25-500R-0C
- L G594-25-600R-0C
- 2 Joint Assy, Outer (1) Man Trans 4 Cyl 93-95 R/L G568-22-510B
- 96-97 R/L G592-22-510A
- R/L G570-22-510B
- 6 Cyl 93 R/L G567-22-510
- 94-97 R G685-22-510
- L GG91-22-510
- Auto Trans 4 Cyl 93 R/L G685-22-510
- 94-97 R/L G567-22-510
- 3 Boot, Outer Joint (1) (a) Man Trans 4 Cyl R/L GA2K-V9-050-9U
- 6 Cyl R/L GS70-V9-050-9U
- Auto Trans R/L G567-22-530-9U
- (a) Included w/Outer Joint Assy
- 4 Joint Assy, Inner (1) Man Trans

- 4 Cyl R G568-22-520
- L G568-22-620
- 6 Cyl R G570-22-520
- L G570-22-620
- Auto Trans 1993-94 R G567-22-520
- L G567-22-620
- 1995-97 4 Cyl R G567-22-520
- L GG91-22-620
- 6 Cyl R G567-22-520
- L G567-22-620
- 5 Boot, Inner Joint (1) (b) Man Trans 4 Cyl R/L G568-22-540
- 6 Cyl R/L G570-22-540-9U
- Auto Trans R/L G567-22-540-9U
- (1) (Included w/Axle Shaft Assy)
- (b) Included w/Inner Joint Assy
- 6 Shaft Assy, Intermediate Man Trans 4 Cyl G560-25-700E
- 6 Cyl G562-25-700B
- 1993-94 G562-25-700B
- 1995-97 To 12-9-94 GA09-25-700C
- From 12-9-94 GA09-25-700C
- Auto Trans 4 Cyl 93 G570-25-700D
- 94-97 G578-25-700A
- 6 Cyl 1993 To 4-13-92 G572-25-700B
- From 4-13-92 G562-25-700B
- 1994 G579-25-700D
- 1995-97 G579-25-700D
- 7 Seal, Inner (1) 1993 G560-25-744
- 1994-97 To 2-19-96 G560-25-744
- Man Trans G569-25-744
- Auto Trans From 2-19-96 G560-25-744
- Keeper Brand F011-25-744
- Uchiyama Brand F011-25-744
- 8 Bearing, Shaft 1993 9960-68-2064
- 1994-97 4 Cyl 9960-68-2064
- 6 Cyl G569-25-155
- 9 Bracket, Shaft (1) Man Trans 4 Cyl G560-25-741A
- 6 Cyl 93 G564-25-741B
- 94 G569-25-741B
- 95-97 G569-25-741B
- Auto Trans 4 Cyl 93 G570-25-741A
- 94-97 G578-25-741A
- 6 Cyl 93 G574-25-741B
- 94 G579-25-741B
- 95-97 G579-25-741B
- 10 Seal, Outer (1) 1993 G560-25-742
- 1994 Man Trans G569-25-742
- Auto Trans G560-25-742
- 1995-97 4 Cyl To 2-19-96 G560-25-742
- From 2-19-96 Keeper Brand F011-25-742
- Uchiyama Brand F011-25-742
- 6 Cyl Man Trans To 12-9-94 G569-25-742
- From 12-9-94 G560-25-744
- Auto Trans To 11-2-95 G569-25-742
- From 11-2-95 G560-25-744
- (1) (Included w/Intermediate Shaft Assy)

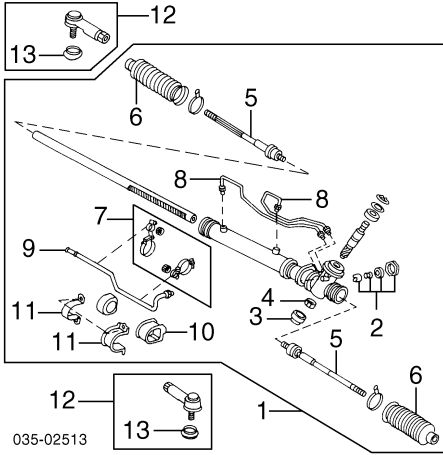
## FRONT STEERING LINKAGE/GEAR

Illustration Located in Next Column

- 1 Gear Assy, Steering 1993 4 Cyl GG2A-32-110R-0A
- 6 Cyl GG2A-32-110R-0A
- 1994 4 Cyl GG2A-32-110R-0A
- 6 Cyl GG2A-32-110R-0A
- 1995-97 4 Cyl GG2A-32-110R-0A
- 6 Cyl GG2A-32-110R-0A
- 2 Yoke Set, Support (1) GA2B-32-11XA
- 3 Nut, Outer Lock (1) GA2B-32-131
- 4 Nut, Inner Lock (1) GA2B-32-130
- 5 Rod, Tie (1) 4 Cyl R/L GA2A-32-240A
- 6 Cyl R/L GA2A-32-240A
- 6 Boot (1) R/L GA2B-32-12X
- 7 Support Kit, Tube (1) GA2B-32-190
- 8 Tube, Pressure R GA2B-32-44Z
- L GA2B-32-44Y
- 9 Tube, Return (1) GN81-32-480

# MAZDA 626 1993-97

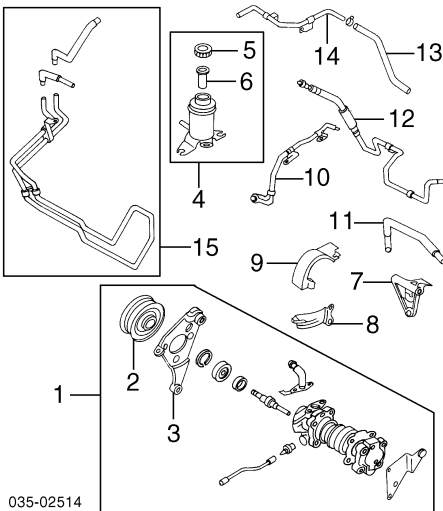
## FRONT STEERING LINKAGE/GEAR Cont'd



- 035-02513
- 10 Bushing, Mounting¶ R GD7A-32-124  
L GA2B-32-123
  - 11 Bracket, Mounting¶  
4 Cyl R GA2B-32-134  
L GB6P-32-133  
6 Cyl R/L GB6P-32-133  
¶Included w/Steering Gear Assy
  - 12 End Assy, Tie Rod R/L BAG4-32-280
  - 13 Seal, Dust¶ R/L B455-32-279  
¶Included w/Tie Rod End Assy

## STEERING PUMP

4 CYL

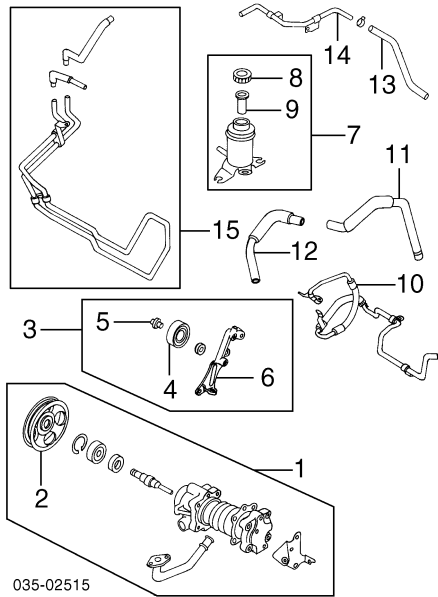


- 035-02514
- 1 Pump Assy, Steering GD7E-32-600R-00
  - 2 Pulley, Pump¶ GA2B-32-620
  - 3 Bracket, Pump¶ G06T-32-60X  
¶Included w/Steering Pump Assy
  - 4 Reservoir Assy, Pump GA2G-32-69XA
  - 5 Cap, Reservoir¶ GA2G-32-691
  - 6 Filter¶ GA2G-32-503  
¶Included w/Pump Reservoir Assy
  - 7 Brkt, Pump Reservoir GE4T-32-603
  - 8 Strap GA2B-32-605A
  - 9 Shield, Idler Pulley GA2A-32-634A
  - 10 Hose, Pressure GA2A-32-490E
  - 11 Hose, Suction GA2A-32-688B
  - 12 Hose, Gear Pressure GB6H-32-430B
  - 13 Hose, Return GA2A-32-684B
  - 14 Tube, Return GB6H-32-410
  - 15 Pipe, Cooler GA2B-32-470F

6 CYL

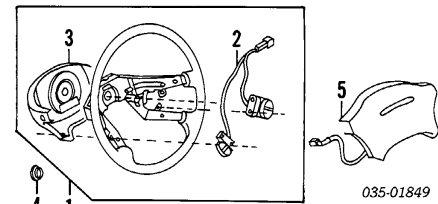
Illustration Located in Next Column

- 1 Pump Assy, Steering 93-94 GD7E-32-600R-00  
95-97 GD7E-32-600R-00



- 035-02515
- 2 Pulley, Pump¶ GA2F-32-620A  
¶Included w/Steering Pump Assy
  - 3 Pulley Assy, Idler K806-15-930D
  - 4 Pulley, Idler¶ K805-15-94XA
  - 5 Collar, Pulley¶ KL01-15-942
  - 6 Bracket¶ EA03-32-603D  
¶Included w/Idler Pulley Assy
  - 7 Reservoir Assy, Pump GA2G-32-69XA
  - 8 Cap, Reservoir¶ GA2G-32-691
  - 9 Filter¶ GA2G-32-503  
¶Included w/Pump Reservoir Assy
  - 10 Hose, Pressure 1993 GA2E-32-420C  
To 6-22-92 GA2G-32-420A  
From 6-22-92 GA2G-32-691  
1994-97 GB6M-32-420
  - 11 Hose, Pump Suction GA5V-32-688C
  - 12 Hose, Reservoir Suction GA5W-32-688C
  - 13 Hose, Return GA2A-32-684B
  - 14 Tube, Return GB6H-32-410
  - 15 Tube, Cooler GA2B-32-470F

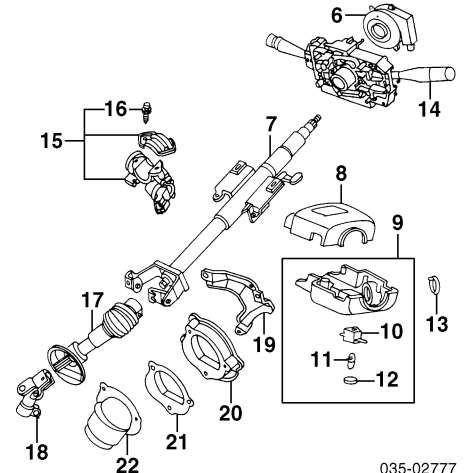
## STEERING WHEEL/COLUMN



- 035-01849
- 1 Wheel Assy, Steering 93-94 GA2P-32-980D  
Leather 95-97 GB6K-32-980A
  - Urethane w/Cruise Control 93-94 GA2L-32-980D  
95-97 GB6H-32-980A
  - w/o Cruise Control 93-94 GE1A-32-980  
95-97 GE1A-32-980
  - 2 Switch, Cruise Control¶ 93-94 GA2L-66-3D1C  
95-97 GB6H-66-3D1
  - 3 Cover, Wheel¶ w/Cruise Control 93-94 GA2K-32-049  
95-97 GA2L-32-049
  - w/o Cruise Control 93-94 GA2L-32-049  
95-97 GB6H-32-049  
¶Included w/Steering Wheel Assy
  - 4 Cap, Wheel (4) GA2B-32-9L1
  - 5 Module, Air Bag-See Air Bag System Section

Illustration Located in Next Column

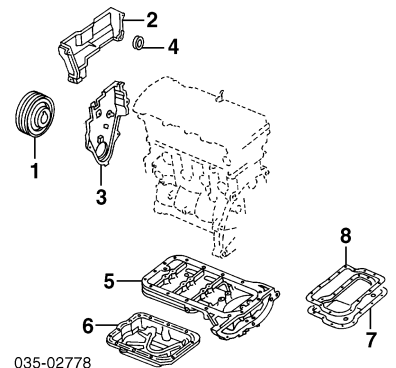
- 6 Clockspring-See Air Bag System Section
- 7 Column, Steering To 2-27-92 GA2A-32-100E  
From 2-27-92 GA2K-32-100C  
GA2A-60-220F
- 8 Cover, Column Upper GA2A-60-230C
- 9 Cover Assy, Column Lower 1993-95 GC1M-60-230  
1996-97



- 035-02777
- 10 Socket, Cover Lamp¶ GA2A-60-245A
  - 11 Bulb¶ B456-60-223  
GA2A-60-246
  - 12 Lens, Cover Lamp¶  
¶Included w/Column Lower Cover Assy
  - 13 Bezel, Cylinder To 1-3-95 LA01-60-261  
From 1-3-95 KB75-60-261A
  - 14 Switch, Combination 1993 GA2A-66-120A  
1994 GB6H-66-120  
1995 GB6H-66-120  
w/Variable Wipers GC1M-66-120  
w/o Variable Wipers 1996-97 GD1J-66-120  
w/Variable Wipers w/o Variable Wipers GD1E-66-120
  - 15 Lock Assy, Ignition To 4-11-95 GA2A-76-290D  
Man Trans GA2C-76-290D  
Auto Trans
  - From 4-11-95 GA2A-76-290D  
Man Trans GA2C-76-290D  
Auto Trans GA2C-76-290D
  - 16 Bolt, Breakaway¶ H043-66-154  
Switch, Ignition¶ H380-66-151A  
¶Included w/Ignition Lock Assy
  - 17 Shaft, Lower GA2K-32-860D
  - 18 Coupling GA2A-32-850C
  - 19 Brkt, Steering GA2K-32-21YB
  - 20 Plate, Inner Cover GA2C-32-212A
  - 21 Plate, Outer Cover GA2C-32-216
  - 22 Boot GA2C-32-211

## ENGINE

4 CYL



- 035-02778
- 1 Pulley, Crankshaft 1993-95 FS05-11-401  
1996-97 FSB9-11-400  
Man Trans FSB8-11-400  
Auto Trans FS01-10-520C  
FS01-10-500D
  - 2 Cover, Upper Timing FS01-10-500D
  - 3 Cover, Lower Timing R/L FS05-10-602A
  - 4 Seal, Timing Cover
  - 5 Pan, Upper Eng Oil Man Trans FSY1-10-030  
Auto Trans FS31-10-380G
  - 6 Pan, Lower Eng Oil FS59-10-400A
  - Sealant, Oil Pan 8527-77-739
  - 7 Pan, Trans Oil FU9A-21-51XA
  - 8 Gskt, Trans Pan BN97-21-512A

### 6 CYL

035-02779

1 Pulley, Crankshaft	KL01-11-400B
2 Cover, Timing	R KL01-10-500E L KL01-10-510C
3 Plate Assy, Cover Seal	KL01-10-530F
4 Seal, Upper Plate	KL01-10-535
5 Seal, Lower Plate	KL01-10-533B
6 Seal, Side Plate	KL01-10-536B
7 Plug, Rubber	KL01-10-557
*Included w/Cover Seal Plate Assy	
8 Pan, Eng Oil	KL01-10-400
Sealant, Eng Oil Pan	8527-77-739
9 Pan, Trans Oil	FU9A-21-51XA
10 Gskt, Trans Oil Pan	BN97-21-512A

### ENGINE/TRANS MOUNTS

035-01816

1 Mount, Eng Front	4 Cyl	GA2A-39-060G To 2-23-93 From 2-23-93
2 Brkt, Front Body Mount	6 Cyl	GA2F-39-060B GA2C-53-37XC
3 Brkt, Front Eng Mount	4 Cyl	GA2A-39-030E
	6 Cyl	GA2E-39-030A
4 Mount, Eng Side	Man Trans	
	4 Cyl	R GA2A-39-040A L GA2A-39-050
	6 Cyl	R GJ4K-39-040 L GA2A-39-050
	Auto Trans	
	4 Cyl	93-94 R G14J-39-040 L GA2C-39-050
		95-97 R KB31-39-040 L KB31-39-050
	6 Cyl	R GA2H-39-040A L GA2G-39-050A
5 Brkt, Side Mount	Man Trans	
	93-94 R	GA2A-39-010A L GA2A-39-021B
	95-97 R	KB30-39-010A L GA2A-39-021B
	Auto Trans	
	4 Cyl	93-94 R GA2A-39-010A L GA2A-39-021B
		95-97 R KB31-39-010C L KB31-39-021
	6 Cyl	93-94 R GA2A-39-010A L GA2G-39-021A
		95-97 R KB30-39-010A L GA2G-39-021A
6 Damper	R	GA2C-39-01XA L GA2C-39-02X
7 Mount, Trans		

Man Trans	GA2B-39-070
Auto Trans	
4 Cyl	93-94 GE6T-39-070A 95-97 KB31-39-070D GA2G-39-070C
6 Cyl	
8 Brkt, Trans Mount	
Man Trans	GA2A-39-080D
Auto Trans	GA2C-39-080C
9 Mount, Crossmember	
Man Trans	GA2E-39-100A
Auto Trans	
4 Cyl	
1993	
To 6-2-92	GA2G-39-100
From 6-2-92	GA2C-39-100
1994-97	KB31-39-100
6 Cyl	GA2G-39-100
10 Damper, Crossmember	GA2A-39-970A
11 Crossmember Assy, Engine Protector, Mtg	KB31-39-800 93 GA2A-39-999A
*Included w/Engine Crossmember Assy	

### AIR CLEANER

### 4 CYL

035-01817

1 Cleaner Assy, Air	1993	FS11-13-320B
	1994	
Man Trans	FS61-13-320	
Auto Trans	FS56-13-320	
1995-97		
Man Trans	FS63-13-320	
Auto Trans	FS55-13-320A	
2 Element, Cleaner	FS11-13-240	
3 Cover, Air Cleaner		
1993	FS11-13-201	
1994-97		
Man Trans	FS61-13-201	
Auto Trans	FS56-13-201	
*Included w/Air Cleaner Assy		
4 Meter, Air Flow		
1993	FS11-13-215R-00	
1994-95		
Man Trans	FS11-13-215R-00	
Auto Trans	FS15-13-215R-00	
1996-97		
Man Trans	FS11-13-215R-00	
Auto Trans	FS02-13-215R-00	
5 Brkt, Meter	FS11-13-311	
6 Hose, Air Upper		
1993	FS11-13-220D	
1994		
Man Trans	FS11-13-220D	
Auto Trans	FS15-13-220F	
1995-97		
Man Trans	FS11-13-220D	
Auto Trans	FS15-13-220F	
7 Hose, Air Lower		
1993-94	FS01-13-207	
1995-97-Not Applicable		
8 Chamber, Resonance		
Upper	93 FS11-13-195B 94-97 FS56-13-195	
Lower		
1993-94	FS11-13-19XC	
1995-97-Not Applicable		
10 Duct Assy, Fresh Air	FS25-13-200D	
11 Plate, Air Duct Upr	93-94 FS25-13-192 95-97 FS25-13-192	
12 Plate, Air Duct Ctr	FS25-13-203B	
13 Plate, Air Duct Lwr	93-94 FS25-13-204 95-97 FS25-13-204	
*Included w/Fresh Air Duct Assy		
14 Hose, Air Duct	FS01-13-202B	

### 6 CYL

035-01896

1 Cleaner Assy, Air	KL11-13-320C
2 Element, Cleaner	FS11-13-240
3 Cover, Air Cleaner	KL11-13-201
*Included w/Air Cleaner Assy	
4 Meter Assy, Air Flow	KL02-13-210R-00
5 Grommet, Meter	J501-13-214
*Included w/Air Flow Meter Assy	
6 Hose, Upper Air	KL11-13-220D
7 Duct Assy, Fresh Air	KL25-13-200D
8 Plate, Air Duct Upr	93-94 FS25-13-192 95-97 FS25-13-192
9 Plate, Air Duct Ctr	93-94 FS25-13-204 95-97 FS25-13-204
10 Plate, Air Duct Lower	FS25-13-203B
*Included w/Fresh Air Duct Assy	
11 Hose, Air Duct	KL11-13-202B

### EXHAUST

### 4 CYL

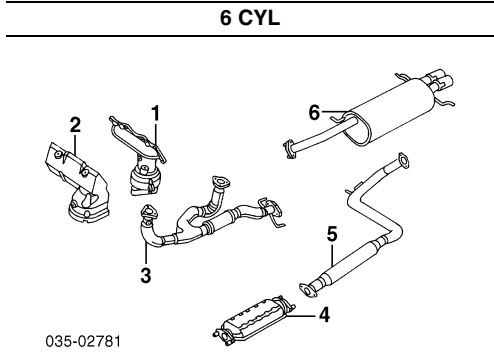
035-02780

1 Manifold, Exhaust	93-95	FS01-13-450B
	96-97	FSC1-13-450B
2 Shield, Exhaust Heat	93-95	FS01-13-390B
	96-97	FSC1-13-390A
3 Pre-Converter, Catalytic	1996-97	B6CK-20-500B
4 Gskt, Pre-Converter	96-97	B6CK-20-520
5 Pipe, Front Exhaust (1 Piece)		
	1993	
	w/Calif Emission	FS02-40-500F
	w/o Calif Emission	FS01-40-500A
	1994	
	Man Trans	
	w/Calif Emission-See 2 Piece Front Exhaust Pipe	
	w/o Calif Emission	FS01-40-500A
	Auto Trans	FS02-40-500F
	1995	
	w/Calif Emission-See 2 Piece Front Exhaust Pipe	
	w/o Calif Emission	
	Man Trans	
	To 5-2-95	FS02-40-500F
	From 5-2-95	FS02-40-500F
	Auto Trans	FS30-40-500A
6 Pipe, Front Exhaust (2 Piece)	1996-97-See 2 Piece Front Exhaust Pipe	
	1994	
	Man Trans	
	w/Calif Emission	FS24-40-500A
	w/o Calif Emission-See 1 Piece Front Exhaust Pipe	
	Auto Trans-See 1 Piece Front Exhaust Pipe	
	1995	
	w/Calif Emission	FS24-40-500A
	w/o Calif Emission-See 1 Piece Front Exhaust Pipe	
	1996-97	
	Man Trans	FS60-40-500C
	Auto Trans	FS61-40-500C
Converter, Catalytic		
7 Front		
	1 Piece Front Exh Pipe-Not Applicable	
	2 Piece Front Exhaust Pipe	FS62-20-500
8 Rear		



# MAZDA 626 1993-97

EXHAUST Cont'd	
<b>4 CYL Cont'd</b>	
1993 w/Calif Emission w/o Calif Emission 1994 Man Trans w/Calif Emission w/o Calif Emission Auto Trans 1995 w/Calif Emission w/o Calif Emission 1996-97 w/Calif Emission w/o Calif Emission	FS49-20-600 FS01-20-600B FS01-20-600B FS02-20-600 FS49-20-600 FS01-20-600B FS49-20-600 FSC5-20-600 FSC1-20-600
9 Pipe, Intermediate Man Trans Auto Trans	FS01-40-300B FS02-40-300B GA2A-56-421B
10 Insulator, Pipe Muffler, Rear Insulator, Muffler	FS03-40-100F GA2A-56-411



6 CYL	
1 Manifold, Exhaust 1993 1994-95 w/Calif Emission w/o Calif Emission 1996 1997	R KL01-13-4F0B L KL01-13-450B R KL50-20-55XA L KL50-20-50XA R KL01-13-450B L KL01-13-4F0B R K834-20-55X L KL50-20-50XA R KLL8-13-45X L KLL8-13-4F0
2 Shield, Exhaust Heat 1993 1994-95 w/Calif Emission w/o Calif Emission 1996-97	R KL02-13-390A L KL02-13-390A R KL50-13-390A L KL50-13-3K0A R KL02-13-390A L KL02-13-390A R KL50-13-390A L KL50-13-3K0A
3 Pipe, Front Exhaust 1993 1994-95 w/Calif Emission w/o Calif Emission 1996 1997	KL01-40-500F KL19-40-500A KL01-40-500F KL56-40-500B KL90-40-500
4 Converter, Catalytic 1993 1994-95 w/Calif Emission w/o Calif Emission 1996 1997	KL01-20-600A KL50-20-600 KL01-20-600A FSC5-20-600 KLL8-20-600B
5 Pipe, Intermediate 1993-95 Man Trans Auto Trans 1996 Man Trans Auto Trans 1997 Man Trans Auto Trans	KL01-40-300E KL29-40-300C KL56-40-300B KL57-40-300B KL90-40-300A KL91-40-300 KL03-40-100E GA2E-56-421D
6 Muffler, Rear Insulator, Pipe	

EMISSION SYSTEM	
Valve, EGR 4 Cyl 1993 w/Calif Emission w/o Calif Emission 1994 w/Calif Emission w/o Calif Emission Man Trans Auto Trans 1995-97 6 Cyl	FS06-20-300 FS05-20-300 FS56-20-300A FS06-20-300 FS56-20-300A FS56-20-300A 93-94 KLY1-13-SJ0 95-97 KL01-20-300C

Modulator, EGR Valve 4 Cyl 1993-94 1995-97-Not Serviced 6 Cyl-Not Serviced Brkt, Modulator 1993-94 1995-97-Not Serviced Solenoid, EGR† †Order by Application Canister, Fuel Bracket, Canister	F201-20-350 FS01-20-35X KL01-18-740B FS11-13-970A FS01-13-960A
--	--

## ELECTRICAL

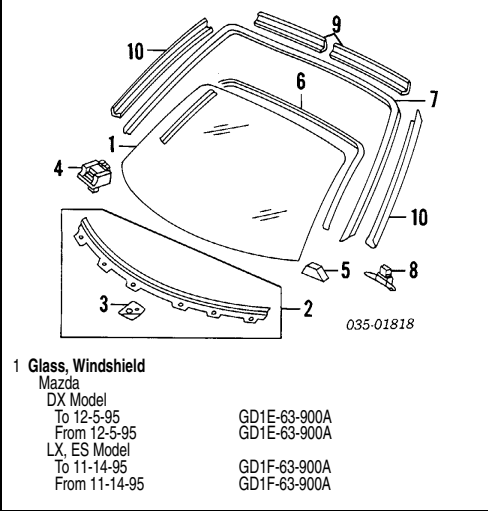
ALTERNATOR	
Alternator Assy† 4 Cyl 6 Cyl †Remanufactured Part. Contact Dealer for Core Charge & Exchange Information	FS11-18-300R-00 KL11-18-300R-00
Pulley, Alternator (a) 4 Cyl 6 Cyl (a) Included w/Alternator Assy	FS05-18-W11 K801-18-W11
Brkt, Alt Pivot 4 Cyl 6 Cyl	FS11-18-371 93-94 KL11-18-371B 95-97 KL11-18-371B
Bolt, Pivot 4 Cyl 6 Cyl	93-94 9972-41-000 95-97 9972-41-000 93-94 9979-40-825 95-97 9980-01-0105
Brkt, Adjust 4 Cyl Upper Lower 6 Cyl	FS01-18-356 FS11-18-360 KL11-18-360A
Belt, Alternator 4 Cyl w/ A/C w/o A/C 6 Cyl w/ A/C w/o A/C	FS05-15-907 FS12-18-381A KLG4-15-908 KL11-18-381B

BATTERY	
Battery	0000-80-058R-WB

HORN	
Horn High Note 1993-94 1995-97 To 7-19-94 From 7-19-94 Low Note 1993-94 1995-97 To 7-19-94 From 7-19-94	GA2A-66-780B KB42-66-780A GD0S-66-780 GA2A-66-790B KB42-66-790A GD0S-66-790

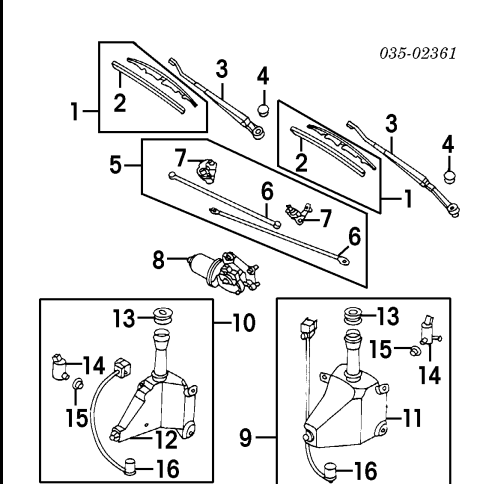
IGNITION	
Cap, Distributor 4 Cyl Man Trans 1993-94 1995-97 To 7-19-94 From 7-19-94 Auto Trans 93 94-97 93-94 95-97 6 Cyl	FS01-18-V00-9U B593-18-V00A-9U FS01-18-V00-9U FS01-18-V00-9U 93 FS01-18-V00-9U 94-97 FS07-18-V00-9U 93-94 KL01-18-V00A-9U 95-97 KF34-18-V00-9U

## WINDSHIELD



2 Stopper Assy, Glass 3 Tape, Stopper† (6) †Included w/Glass Stopper Assy Spacer, Glass 4 Type A 5 Type B 6 Dam, Windshield To 8-17-92 From 8-17-92 7 Moulding Upper/Side 8 Clip, Moulding 9 Protector, Midg Upper 10 Protector, Midg Side Midg, Inside Garnish Light Beige Gray Taupe Mirror, Rear View Visor, Sun DX Model Light Beige Light Gray Light Taupe LX, ES Model Light Beige Light Gray Light Taupe	GA2K-50-G30A GA2K-50-G33 R/L B455-50-891A R/L 8182-63-903 GA7B-50-899 GA7B-50-894 GAYN-50-6AXD R GA2C-50-6A6 L GA2C-50-6A7 R/L GA2K-50-6B1 R/L GA2A-50-6B2 R GA2K-68-160E-90 L GA2K-68-170E-90 R GA2K-68-160E-29 L GA2K-68-170E-29 R GA2K-68-160E-78 L GA2K-68-170E-78 KA51-69-220 R GA2K-69-270D-80 L GB6H-69-320D-80 R GA2K-69-270D-27 L GA2K-69-320B-27 R GA2K-69-270-83 L GA2K-69-320B-83 R GA2P-69-270E-80 L GB6L-69-320-80 R GA2P-69-270-27 L GA2P-69-320B-27 R GA2P-69-270-83 L GA2P-69-320B-83
---	---

## WIPER SYSTEM

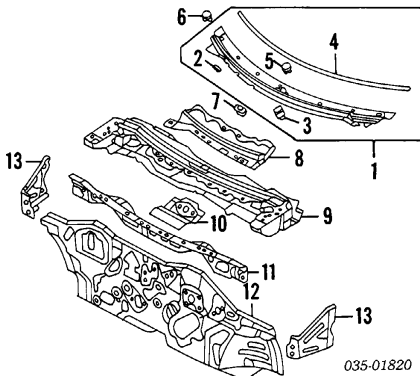


1 Blade Assy, Wiper 2 Blade, Insert† 3 Arm, Wiper 4 Cover, Wiper Arm 5 Link Assy, Wiper w/Cold Climate Spec w/o Cold Climate Spec 6 Arm, Link† 7 Shaft, Drive† w/Cold Climate Spec w/o Cold Climate Spec †Included w/Wiper Link Assy 8 Motor, Wiper w/Cold Climate Spec w/o Cold Climate Spec Reservoir Assy, Washer 9 w/Cold Climate Spec 1993 1994-97 To 6-13-95 From 6-13-95 w/o Cold Climate Spec 10 Tank, Washer† 11 w/Cold Climate Spec 12 w/o Cold Climate Spec 13 Cap, Tank† 14 Pump, Washer† 15 Grommet, Pump† 16 Switch, Level†	R BJ0E-67-330-9U L TA02-67-330A-9U 93 R DB09-67-333-9U L E016-67-333 94 R DB09-67-333-9U L E016-67-333 95-97 R E016-67-333 L KA81-67-331A R GA7C-67-321A L GT0L-67-321 R/L LA01-67-395C GA2L-67-360E GA2K-67-360E R GA2K-67-361A L GA2K-67-362B R GA2K-67-363C L GA2K-67-364A R/L GA2K-67-363C GA2L-67-340D GA2K-67-340D GA2B-67-480F GA2B-67-480F GA2B-67-480F 93-94 GA2A-67-480E 95-97 GC1M-67-480 GA2B-67-481A 93-94 GA2A-67-481A 95-97 GC1M-67-481 GJ21-67-483 GA2A-67-482 S084-76-677
---	--

# MAZDA 626 1993-97

w/Cold Climate Spec GA2A-67-488  
 w/o Cold Climate Spec GB8A-67-488  
 †Included w/Washer Reservoir Assy  
 Nozzle, Washer R GA2K-67-510A  
 L GA2L-67-510A

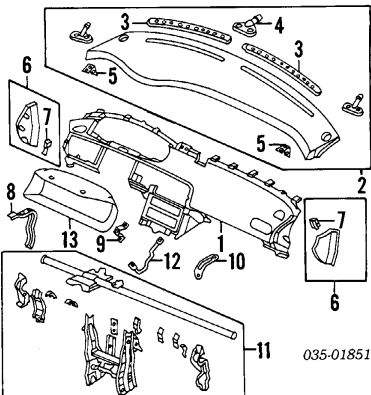
## COWL & DASH



- 1 Grille Assy, Cowl GA2K-50-790F
- 2 Pad, Grille† (5) GA2A-50-7E6A
- 3 Grommet† (4) GA5S-50-792
- 4 Protector, Grille†-Serviced w/Cowl Grille Assy
- 5 Cap, Grille Center† (5) GA2A-50-797  
 †Included w/Cowl Grille Assy
- 6 Cap, Grille R/L GA2A-50-796
- 7 Screw, Grommet R/L FD02-50-798
- 8 Baffle, Cowl 93-94 GA2K-56-351D  
 95-97 GA2K-56-351D
- 9 Panel, Cowl 93-94 GA2K-53-51XC  
 95-97 GB6H-53-51XD
- 10 Bracket, Wiper Motor GA2K-53-513B
- 11 Panel, Cowl Front 93 GA2K-70-610E  
 94 GA2K-70-610E  
 95-97 GA2K-70-610E
- 12 Panel, Dash 93-94 GA2A-53-400K  
 95-97 GA2A-53-400K
- 13 Gusset, Dash Panel R GA2A-70-065A  
 L GA2A-71-065A

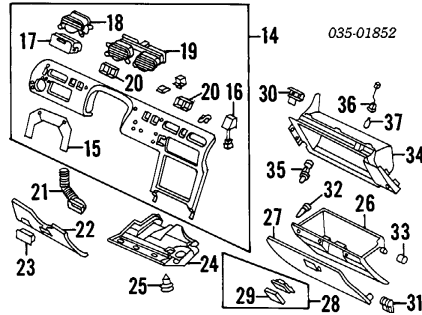
## INSTRUMENT PANEL

1993



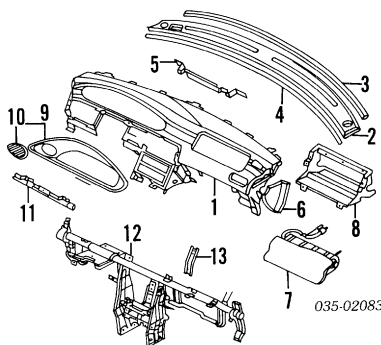
- 1 Panel, Instrument Gray GA2K-60-360F-29  
 Taupe GA2K-60-360F-78
- 2 Pad Assy, Instrument Gray GA2K-60-340G-29  
 Taupe GA2K-60-340G-78
- 3 Grille, Defroster† Dark Gray R GA2K-60-785-30  
 L GA2K-60-795-30  
 Dark Taupe R GA2K-60-785-79  
 L GA2K-60-795-79
- 4 Pin, Pad† GA2K-60-392B
- 5 Bracket, Pad† R GA2K-60-4B2A  
 L GA2K-60-4C2A  
 †Included w/Instrument Pad Assy
- 6 Panel Assy, Side Gray R GA2K-64-910E-29  
 L GA2K-64-920E-29  
 Taupe R GA2K-64-910E-78  
 L GA2K-64-920E-78
- 7 Spring, Side Panel† (8/Side) R/L H260-64-343  
 †Included w/Side Panel Assy
- 8 Stiffener, Pad GA2K-60-355C
- 9 Brkt, Instrument GA2K-60-402A

- 10 Member, Junction GA2K-60-441
- 11 Crossmember GA2K-60-420D
- 12 Stiffener, Crossmember GA2K-60-442
- 13 Hood, Meter GA2K-55-420C



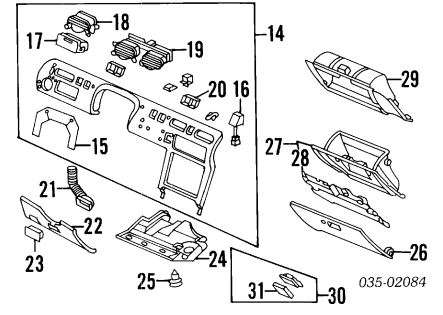
- 14 Panel Assy, Switch GA2P-55-310S
- 15 Cover, Panel Lower† GA2A-55-423A
- 16 Switch, Hazard† GA2L-66-4H0A
- 17 Pocket, Panel† GA2K-64-180D
- 18 Louver, Vent† GA2K-64-81XC
- 19 Louver, Vent† GA2P-64-930D
- 20 Cover, Panel Upper† R GA2K-55-427B  
 L GA2K-55-423  
 †Included w/Switch Panel Assy
- 21 Duct, Lap GA2A-64-77XA
- 22 Panel, Lower Gray GA2K-64-281F-29  
 Taupe GA2K-64-281F-78
- 23 Louver, Lower Panel FB01-64-850
- 24 Cover, Under GA2K-64-520D
- 25 Fastener, Under Cover (3) GJ21-68-885B-02
- 26 Glove Box GA2K-64-161
- 27 Lid, Glove Box Gray GA2K-64-041B-29  
 Taupe GA2K-64-041B-78
- 28 Lock Assy, Glove Box Gray GA2K-64-090A-29  
 Taupe GA2K-64-090A-78
- 29 Knob, Glove Box Lid† GA2K-64-081-29  
 Gray GA2K-64-081-78  
 Taupe †Included w/Glove Box Lock Assy
- 30 Striker GA2A-64-10XA
- 31 Hinge, Glove Box R GA7B-64-071B  
 L GA7B-64-072B
- 32 Cushion, Rubber R/L B092-64-046
- 33 Stopper, Rubber R/L G113-64-073A
- 34 Frame, Glove Box Gray GA2K-64-261B-29  
 Taupe GA2K-64-261B-78
- 35 Switch, Glove Box J002-66-540A
- 36 Bulb, Indicator GA5R-64-390
- 37 Bulb 9970-16-010
- Radio Set 0000-81-3431-F5
- Player, CD 0000-81-6410-03
- Speaker, Radio R/L 0000-81-H02A-02  
 Black R/L 0000-81-H02A-29  
 Gray R/L 0000-81-H02A-78  
 Taupe

1994-97



- 1 Panel, Instrument Brown GB6H-60-350F-90  
 Gray GB6H-60-350F-29
- 2 Panel, Upper Brown GB6H-60-721-90  
 Gray GB6H-60-721-29
- 3 Seal, Front GA2A-60-726
- 4 Seal, Rear GA2A-60-722B
- 5 Bracket, Upper GB6H-60-556B
- 6 Panel, Side Brown R GA2K-64-910E-90  
 L GA2K-64-920E-90  
 Gray R GA2K-64-910E-29  
 L GA2K-64-920E-29
- 7 Module, Air Bag-See Air Bag System Section
- 8 Case, Air Bag GB6H-60-A61H
- 9 Hood, Meter GB6H-55-420D
- 10 Grille, Vent-Serviced w/Meter Hood

- 11 Bracket, Lower GB6H-60-559B
- 12 Reinf, Panel 94-95 GB6H-60-420E  
 96-97 GD1E-60-420B  
 GB6H-60-478
- 13 Bracket, Reinforcement



- 14 Panel Assy, Switch 94 GB6H-55-310E  
 95-97 GC1M-55-310B
- 15 Cover, Panel Lower† GA2A-55-423A
- 16 Switch, Hazard† GA2L-66-4H0A
- 17 Pocket, Panel† To 1-16-96 GA2K-64-180D  
 From 1-16-96 GC1M-64-180
- 18 Louver, Vent† GA2K-64-81XC
- 19 Grille, Vent† GA2P-64-930D
- 20 Cover, Panel Upper† 94 R GA2K-55-427B  
 L GA2K-55-423  
 95-97 R GC1M-55-427A  
 L GA2K-55-423  
 †Included w/Switch Panel Assy
- 21 Duct, Lap 1994 GA2A-64-77XA  
 1995-97-Not Applicable
- 22 Panel, Lower Brown 94 GA2K-64-281F-90  
 Gray 95-97 GC1M-64-281B-90  
 94 GA2K-64-281F-29  
 95-97 GC1M-64-281B-29
- 23 Louver, Lower Panel FB01-64-850
- 24 Cover, Under GA2K-64-520D
- 25 Fastener, Under Cover (3) GJ21-68-885B-02
- 26 Lid, Glove Box Otr Brown GB6H-64-041B-90  
 Gray GB6H-64-041B-29
- 27 Glove Box Assy GB6H-64-161G
- 28 Reinf, Glove Box† GB6H-64-061A  
 †Included w/Glove Box Assy
- 29 Frame, Glove Box Brown GB6H-64-261E-90  
 Gray GB6H-64-261E-29
- 30 Lock, Glove Lid Brown GB6H-64-090A-90  
 Gray GB6H-64-090A-29
- 31 Knob, Lid† Brown GA2K-64-081-90  
 Gray GA2K-64-081-29  
 AM-FM Cassette 94 0000-81-3431-F5  
 95-97 0000-81-3266
- Player, CD 1994 0000-81-6410-03  
 1995-97 To 2-2-96 0000-81-6410-03  
 From 2-2-96 to 6-24-96 0000-81-6410-03  
 From 6-24-96 0000-81-6410-03
- Speaker, Radio 1994 Brown R/L 0000-81-H02A-90  
 Gray R/L 0000-81-H02A-29  
 1995-97 R/L 0000-81-1310

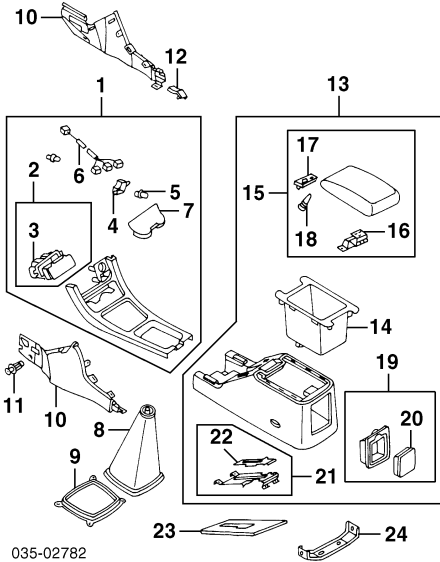
## CENTER CONSOLE

Illustration Located in Next Column

- 1 Console Assy, Front Man Trans To 11-15-94 GA2K-64-320G  
 From 11-15-94 GD1E-64-320B  
 Auto Trans To 11-15-94 GA2M-64-320F  
 From 11-15-94 GD1G-64-320
- 2 Ashtray Assy† GA2A-64-610C
- 3 Lid, Ashtray† (a) GA2A-64-630B-02  
 (a) Included w/Ashtray Assy
- 4 Box, Lamp† GA2A-64-216
- 5 Bulb† (2) 0000-11-0194
- 6 Wire† GA2K-67-SH0
- 7 Box, Console† To 11-15-94 GA2K-64-360A  
 From 11-15-94 GD1E-64-360A  
 †Included w/Front Console Assy
- 8 Boot, Lever Change (a) GA2A-64-331B
- 9 Plate, Boot (a) GA2A-64-334A  
 (a) Included w/Man Trans Front Console Assy
- 10 Panel, Side To 11-15-94 Brown R GA2K-64-231B-90  
 L GA2K-64-241C-90

# MAZDA 626 1993-97

## CENTER CONSOLE Cont'd



035-02782

Gray R GA2K-64-231B-29  
L GA2K-64-241C-29  
Taupe R GA2K-64-231B-78  
L GA2K-64-241C-78

From 11-15-94  
Brown R GD1E-64-231-90  
L GD1E-64-241-90  
R/L GD1E-64-231-29

11 Fastener, Side Panel  
Beige R/L B467-68-AC3-43  
Gray R/L B467-68-AC3-29  
Taupe R/L B467-68-AC3-78  
GA2A-64-329

12 Cover, Hole  
13 Console Assy, Rear  
Brown GA2A-64-420C-90  
Gray GA2A-64-420C-29  
Taupe GA2A-64-420C-78  
14 Box, Console L GA2A-64-441

15 Lid Assy, Console Upper L  
Brown GA2A-64-450B-90  
Gray GA2A-64-450B-29  
Taupe GA2A-64-450-78

16 Hinge, Lid (b) GA2A-64-46Y  
17 Latch, Lid (b) GA2A-64-46X  
18 Cushion, Lid (b) (2) B092-64-046  
(b) Included w/Console Upper Lid Assy

19 Ashtray Assy L  
Brown GA2A-64-660-90  
Gray GA2A-64-660-29  
Taupe GA2A-64-660-78

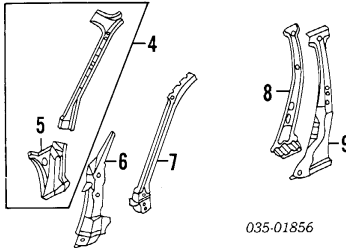
20 Lid, Ashtray (a) L  
Brown GA2A-64-680-90  
Gray GA2A-64-680-29  
Taupe GA2A-64-680-78

(a) Included w/Ashtray Assy  
21 Plate Assy, Upper L  
Brown GA2A-64-430-90  
Gray GA2A-64-430-29  
Taupe GA2A-64-430-78

22 Plate, Inner (a) L  
Brown GA2A-64-430A  
Gray GA2A-64-432-29  
Taupe GA2A-64-430A

(a) Included w/Rear Console Assy  
(a) Included w/Upper Plate Assy  
23 Plate, Console Lower GA2A-64-429B  
24 Brkt, Rear Console GA2A-64-416B

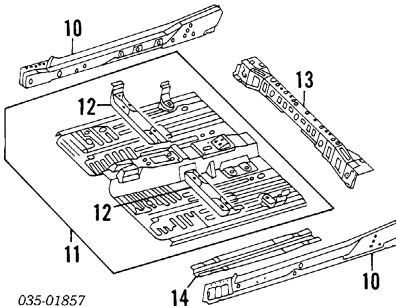
- 1 Pillar, Hinge Outer R GAYK-70-221A  
L GAYK-71-221A
- 2 Pillar, Center Outer R GAYK-70-351  
L GAYK-71-351
- 3 Panel, Outer Rocker L R GAYK-70-271  
L GAYK-71-271



035-01856

- 4 Pillar Assy, Hinge Inner R GA2K-70-04X  
L GA2K-71-04X
- 5 Panel, Cowl Side L R GA2A-70-23YE  
L GA2A-71-23YD

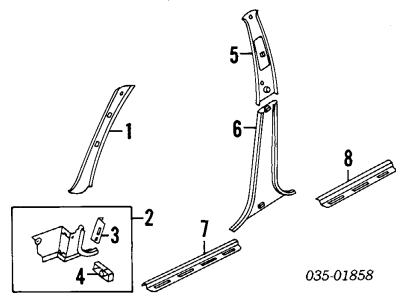
- (b) Included w/Inner Hinge Pillar Assy  
6 Reinf, Pillar Outer R GA2K-70-030B  
L GA2K-71-030B
- 7 Reinf, Pillar Inner R GA2K-70-242B  
L GA2K-71-242B
- 8 Pillar, Inner Ctr R GB8A-70-080A  
L GB8A-71-080A
- 9 Reinf, Ctr Pillar 93 R GB8A-70-360  
L GB8A-71-360  
94-97 R GB8A-70-360  
L GB8A-71-360



035-01857

- 10 Panel, Inner Rocker R GA2K-53-950B  
L GA2K-54-950B
- 11 Pan Assy, Front Floor R GAYA-53-60YA
- 12 Crossmember, Front L R GA2A-53-650C  
L GA2A-54-650C
- (b) Included w/Front Floor Pan Assy  
13 Crossmember, Rear R GA2A-53-911C
- 14 Frame, Side R GA2A-53-660A  
L GA2A-54-660A

## INTERIOR TRIM



035-01858

- 1 Midg, Inside Garnish-See Windshield Section
- 2 Panel Assy, Cowl Trim Brown R GA2K-68-370B-90  
L GA2K-68-390C-90  
Gray R GA2K-68-370B-29  
L GA2K-68-390C-29  
Taupe R/L GA2K-68-370B-78

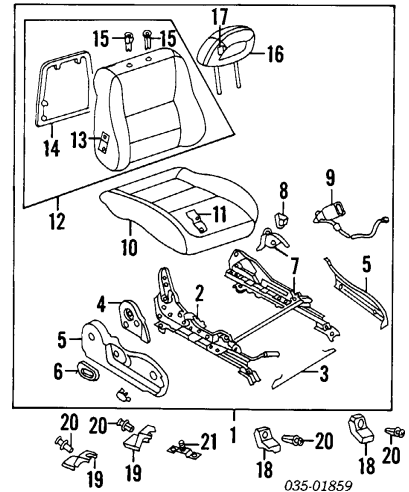
- 3 Cover, Trim Panel L GA2A-68-381B-90  
Brown GA2A-68-381B-29  
Gray GA2A-68-381B-78  
Taupe H001-66-739
- 4 Holder, Fuse (a) (b) Included w/Left Cowl Trim Panel Assy

- 5 Trim, Uptr Ctr Pillar w/Seat Belt Adjust Light Beige R GB8A-68-190-80  
L GB8A-68-210-80  
Gray R GB8A-68-190-29  
L GB8A-68-210-29  
w/o Seat Belt Adjust Gray R GA2K-68-190C-29

- Taupe L GA2K-68-210C-29  
R GA2K-68-190C-78  
L GA2K-68-210C-78
- 6 Trim, Lower Center Pillar Brown R GA2K-68-220C-90  
L GA2K-68-230C-90  
Gray R GA2K-68-220C-29  
L GA2K-68-230C-29  
Taupe R GA2K-68-220C-78  
L GA2K-68-230C-78
- 7 Plate, Front Scuff Brown R/L GA2K-68-710F-90  
Gray R/L GA2K-68-710F-29  
Taupe R/L GA2K-68-710F-78
- 8 Plate, Rear Scuff Brown R/L GA2K-68-730G-90  
Gray R/L GA2K-68-730G-29  
Taupe R/L GA2K-68-730G-78

## FRONT SEAT

### PASSENGER SIDE



035-01859

- 1 Seat Assy, Front L w/Leather Pkg GB6M-57-100B-80  
w/o Leather Pkg GA2K-57-100F-29  
DX Model GA2K-57-100F-29  
LX, ES Model GA2P-57-100F-29

(b) Order by Application  
29, 30 Gray; 90 Brown; 91 Beige/Brown; 02 Black;  
78 Taupe; 80 Light Beige

- 2 Adjuster Unit (a) 93 GA2K-88-A00  
94-97 GB6H-88-A00A
- 3 Wire, Release (a) GA2A-88-106
- 4 Protector, Adjuster (a) GA2A-88-1J1
- 5 Cover, Side (a) R GA2K-88-1G1-78  
L GA2A-88-1H3-78

(b) Order by Application  
29 Gray; 90 Brown; 78 Taupe; 02 Black; 80 Light Beige

- 6 Knob, Adjuster (a) Black GA2A-88-1G5-02  
Beige GA2A-88-1G5-80  
Gray GA2A-88-1G5-29  
Taupe GA2A-88-1G5-78

- 7 Cover, Inner (a) Beige GA2A-88-1G3A-90  
Black GA2A-88-1G3A-02  
Gray GA2A-88-1G3A-29  
Taupe GA2A-88-1G3A-78

- 8 Cover, Hinge (a) R/L GA2A-88-1J2

- 9 Belt, Seat (a)-See Seat Belts Section

- 10 Cushion Assy, Seat (a) w/Leather Pkg GA2S-88-110B-29  
w/o Leather Pkg GA2K-88-110A-29  
DX Model GA2P-88-110A-29  
LX, ES Model GA2K-88-111B-29  
LX, ES Model GA2P-88-111B-29

- (b) Included w/Seat Cushion Assy  
11 Trim, Cushion (a) (b) w/Leather Pkg GA2S-88-111B-29  
w/o Leather Pkg GA2K-88-111B-29  
DX Model GA2P-88-111B-29  
LX, ES Model GA2P-88-111B-29

- 12 Backrest Assy (a) w/Leather Pkg GA2S-88-130C-29  
w/o Leather Pkg GA2K-88-130-29  
DX Model GA2P-88-130-29  
LX, ES Model GA2P-88-130-29

- 13 Trim, Backrest (a) (b) w/Leather Pkg GA2S-88-181A-29  
w/o Leather Pkg GA2K-88-181-29  
DX Model GA2P-88-181-29  
LX, ES Model GA2P-88-181-29

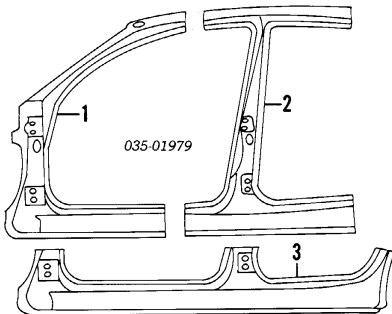
- 14 Cover, Backrest (a) (b) w/Leather Pkg GA2S-88-AL0-29  
w/o Leather Pkg GA2K-88-AL0-29  
DX Model GA2P-88-AL0-29  
LX, ES Model GA2P-88-AL0-29

(b) Gray listed, Order by Application  
29 Gray; 90 Brown; 02 Black; 78 Taupe; 80 Light Beige

- 15 Guide, Pole (a) (b)

## ROCKER/PILLARS/FLOOR

### SHEET METAL

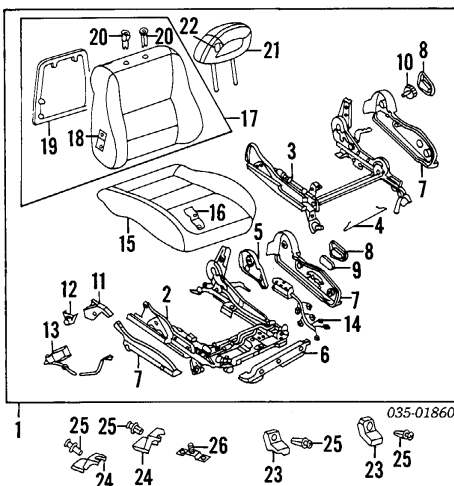


035-01979

# MAZDA 626 1993-97

Beige	R G211-88-138-80 L G211-88-137-80
Gray	R G211-88-138-29 L G211-88-137-29
Taupe	R G211-88-138-78 L G211-88-137-78
<i>(b) Included w/Backrest Assy</i>	
<b>16 Headrest Assy</b> (a)	
w/Leather Pkg	GA2S-88-140C-29
w/o Leather Pkg	
DX Model	GA2K-88-140-29
LX, ES Model	GA2P-88-140-29
<b>17 Trim, Headrest</b> (a) (b)	
w/Leather Pkg	GA2S-88-141-29
w/o Leather Pkg	
DX Model	GA2K-88-141-29
LX, ES Model	GA2P-88-141-29
<i>(a) Gray listed, Order by Application</i>	
<i>29 Gray; 90 Brown; 02 Black; 78 Taupe; 80 Light Beige</i>	
<i>(a) Included w/Front Seat Assy</i>	
<i>(b) Included w/Headrest Assy</i>	
<b>18 Cover, Adjuster Front</b>	
Beige	R GA2K-57-041A-90 L GA2K-57-042A-90
Gray	R GA2K-57-041A-29 L GA2K-57-042A-29
Taupe	R GA2K-57-041A-78 L GA2K-57-042A-78
<b>19 Cover, Adjuster Rear</b>	
Beige	R GA2K-57-051-90 L GA2K-57-052-90
Gray	R GA2K-57-051-29 L GA2K-57-052-29
Taupe	R GA2K-57-051-78 L GA2K-57-052-78
<b>20 Fastener, Cover</b> (1)	R/L B040-68-865A-00
<i>(1) Black listed, Order by Application</i>	
<i>00 Black; 06, 29 Gray; 23 Brown;</i>	
<i>27 Light Gray; 043 Beige</i>	
<b>21 Bracket, Seat</b>	GA2A-57-59XA

## FRONT DRIVER SIDE

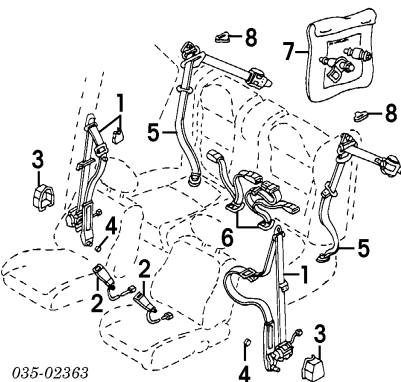


<b>1 Seat Assy, Front</b> (1)	
w/Leather Pkg	GA2S-57-150H-29
w/o Leather Pkg	
DX Model	GA2K-57-150F-29
LX, ES Model	GA2P-57-150F-29
<i>(1) Gray listed, Order by Application</i>	
<i>29 Gray; 90 Brown; 02 Black; 78 Taupe; 80 Light Beige</i>	
<b>Adjuster Unit</b> (a)	
2 w/Leather Pkg	GA2S-88-AF0
3 w/o Leather Pkg	GA2K-88-A50A
<b>Wire, Release</b> (a)	GA2A-88-106
<b>Protector</b> (a)	GA2A-88-1K1
<b>Cover, Front</b> (a)	
w/Leather Pkg	GA2G-88-1H2
<b>Cover Side</b> (a)	
R GA2K-88-1K3-29	
L GA2A-88-1H3-90	
<i>(a) Gray listed, Order by Application</i>	
<i>02 Black; 29 Gray; 78 Taupe; 80 Beige; 90 Brown</i>	
<b>8 Knob, Adjuster</b> (a)	
Beige	GA2A-88-1H5-80
Black	GA2A-88-1H5-02
Gray	GA2A-88-1H5-29
Taupe	GA2A-88-1H5-78
<b>9 Knob, Slide</b> (a)	
w/Leather Pkg	GA2G-57-167A-80
Beige	GA2G-57-167A-02
Black	GA2G-57-167A-29
Gray	GA2G-57-167A-78
Taupe	GA2G-57-167A-78
<b>10 Dial, Support</b> (a)	
w/o Leather Pkg	
Beige	GA2A-88-1L1-29
Black	GA2A-88-1L1-02
Gray	GA2A-88-1L1-29
Taupe	GA2A-88-1L1-78
<b>11 Cover, Inner</b> (a)	

Beige	GA2A-88-1H1A-80
Black	GA2A-88-1H1-02
Gray	GA2A-88-1H1A-29
Taupe	GA2A-88-1H1A-78
	GA2A-88-1J2
<b>12 Cover, Hinge</b> (a)	
<b>13 Belt, Seat</b> (a)-See Seat Belts Section	
<b>14 Switch, Power Seat</b> (a)	
w/Leather Pkg	GA2G-57-155C
<b>15 Cushion Assy, Seat</b> (a)	
w/Leather Pkg	GA2S-88-160B-80
w/o Leather Pkg	
DX Model	GA2K-88-160A-29
LX, ES Model	GA2P-88-160A-29
<b>16 Trim, Cushion</b> (a) (b)	
w/Leather Pkg	GA2S-88-161B-29
w/o Leather Pkg	
DX Model	GA2K-88-161A-29
LX, ES Model	GA2P-88-161B-29
<i>(b) Included w/Seat Cushion Assy</i>	
<b>17 Backrest Assy</b> (a) (b)	
w/Leather Pkg	GA2S-88-180B-29
w/o Leather Pkg	
DX Model	GA2K-88-180-29
LX, ES Model	GA2P-88-180-29
<b>18 Trim, Backrest</b> (a) (b)	
w/Leather Pkg	GA2S-88-181A-29
w/o Leather Pkg	
DX Model	GA2K-88-181-29
LX, ES Model	GA2P-88-181-29
<b>19 Cover, Backrest</b> (a) (b)	
w/Leather Pkg	GA2S-88-AL0-29
w/o Leather Pkg	
DX Model	GA2K-88-AL0-29
LX, ES Model	GA2P-88-AL0-29
<i>(a) Gray listed, Order by Application</i>	
<i>29 Gray; 90 Brown; 02 Black; 78 Taupe; 80 Light Beige</i>	
<b>20 Guide, Pole</b> (a) (b)	
Beige	R G211-88-138-80 L G211-88-137-80
Gray	R G211-88-138-29 L G211-88-137-29
Taupe	R G211-88-138-78 L G211-88-137-78
<i>(b) Included w/Backrest Assy</i>	
<b>21 Headrest Assy</b> (a)	
w/Leather Pkg	GA2S-88-190-29
w/o Leather Pkg	
DX Model	GA2K-88-190-29
LX, ES Model	GA2P-88-190-29
<b>22 Trim, Headrest</b> (a) (b)	
w/Leather Pkg	GA2S-88-141-29
w/o Leather Pkg	
DX Model	GA2K-88-141-29
LX, ES Model	GA2P-88-141-29
<i>(a) Gray listed, Order by Application</i>	
<i>29 Gray; 90 Brown; 78 Taupe; 80 Light Beige</i>	
<i>(a) Included w/Front Seat Assy</i>	
<i>(b) Included w/Headrest Assy</i>	
<b>23 Cover, Adjuster Front</b>	
Brown	R GA2K-57-043A-90 L GA2K-57-044A-90
Gray	R GA2K-57-043A-29 L GA2K-57-044A-29
Taupe	R GA2K-57-043A-78 L GA2K-57-044A-78
<b>24 Cover, Adjuster Rear</b>	
Brown	R GA2K-57-052-90 L GA2K-57-053-90
Gray	R GA2K-57-051-29 L GA2K-57-052-29
Taupe	R GA2K-57-051-78 L GA2K-57-052-78
<b>25 Fastener, Cover</b> (2/Side)	R/L B040-68-865A-00
<i>(1) Black listed, Order by Application</i>	
<b>26 Bracket, Seat</b>	GA2A-57-59XA

## REAR SEAT

## SEAT BELTS



<b>1 Belt Assy, Front Seat</b>	
Retractor Side	
Beige	93-95 R GB6H-57-630D-80

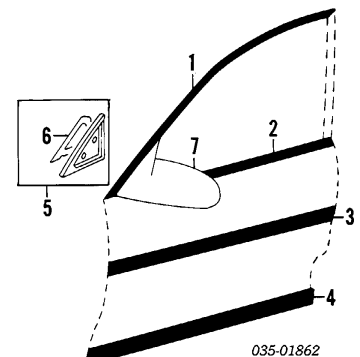
		L GB6H-57-690D-80
	96-97 R	GD1E-57-630D-80
		L GD1E-57-690A-80
Gray	93-94 R	GA2K-57-630B-29
		L GA2K-57-690A-29
	95 R	GB6H-57-630D-29
		L GB6H-57-690D-29
	96-97 R	GD1E-57-630D-29
		L GD1E-57-690A-29
		R GA2K-57-630B-78
		L GA2K-57-690A-78
	Taupe	
<b>2 Buckle Side</b>		
Beige		R GB8A-57-620-80
		L GB8A-57-680-80
Black		R GA2A-57-620B-02
		L GA2A-57-680B-02
Gray		R GB8A-57-620-29
		L GA2A-57-680B-29
		R GA2A-57-620B-78
		L GA2A-57-680B-78
Taupe		R GA2K-57-988B
		L GA2K-57-988A
<b>3 Cover, Retractor</b>		R/L GA2K-57-638-29
<b>4 Cap, Belt</b> (1)		<i>(1) Gray listed, Order by Application</i>
<b>5 Belt, Seat Rear Outer</b>		
Beige		93-95 R GB6H-57-730A-80
		L GB6H-57-790A-80
	96-97 R	GD1E-57-730D-80
		L GD1E-57-790D-80
Gray		93-95 R GA2K-57-730D-29
		L GA2K-57-790D-29
	96-97 R	GD1E-57-730D-29
		L GD1E-57-790D-29
Taupe		R GA2K-57-730D-78
		L GA2K-57-790D-78
<b>6 Belt, Seat Rear Center</b>		
Beige		R GA2K-57-720B-80
		L GA2K-57-780B-80
Gray		R GA2K-57-720B-29
		L GA2K-57-780B-29
Taupe		R GA2K-57-720B-78
		L GA2K-57-780B-78
<b>7 Anchor, Belt</b>		N.A.
Canada		
<b>8 Cover, Retractor-Serviced w/Rear Outer Seat Belt</b>		

## FRONT DOOR

### SHEET METAL

<b>Shell Assy, Door</b>		R GDYE-58-02XB
		L GDYE-59-02XB
<b>Panel, Door Repair</b> (1)	93-94 R	GA2K-58-031E
		L GA2K-59-031E
	95-97 R	GD1E-58-030F
		L GD1E-59-030F
<i>(1) Included w/Door Shell Assy</i>		

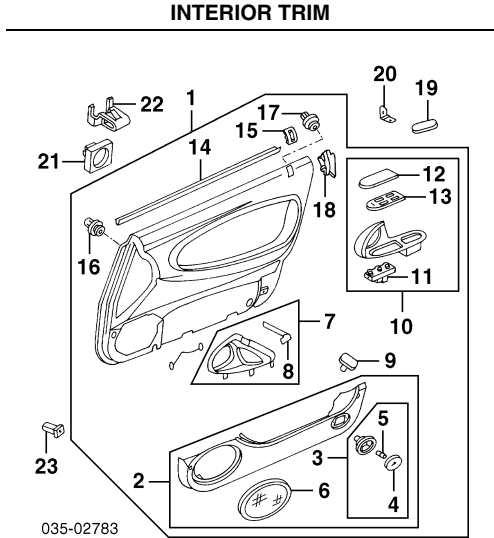
### EXTERIOR TRIM



<b>1 Moulding, Door Sash</b>		R GA2K-50-981C
		L GA2K-50-985C
<b>2 Moulding Assy, Belt</b>		R GA2K-50-640F
		L GA2K-50-650F
<b>Protector, Belt Mldg</b> (1)		R GA2K-50-645B
		L GA2K-50-655B
<i>(1) Included w/Belt Moulding Assy</i>		
<b>3 Moulding, Side</b> (1)		
Adhesive		R GA2K-50-682D-00
		L GA2K-50-692D-00
<i>(1) Brilliant Black listed, Order by Application</i>		
<i>G1 Sahara Gold Metallic; G3 Arctic Blue Metallic;</i>		
<i>T3 Platinum OPM; J4 Passion Rose; NN Ebony;</i>		
<i>PZ Brilliant Black; UA Cameo White; UK Performance</i>		
<i>White; 5S Neat Green; 56 Opal; 64 New Sahara Gold</i>		
<i>B8 Champagne M.; J3 Platinum Opm; J4 Passion Rose;</i>		
<i>4Y Caribbean Blue M; 5s Neat Green MC;</i>		
<i>G1 Cream Yellow; G3 Arctic Blue Metallic; 21 Sandal Wood;</i>		
<i>24 Timberline Metallic; 48 Medium Poppy</i>		
<b>4 Moulding Assy, Lower</b>		
Clip-On		
To 8-25-95		R GA2K-50-L30C
		L GA2K-50-L40C
From 8-25-95		R GB6H-50-L30A
		L GB6H-50-L40A
<b>Clip, Lower Moulding</b> (7/Side)		R/L GA2K-50-L32A

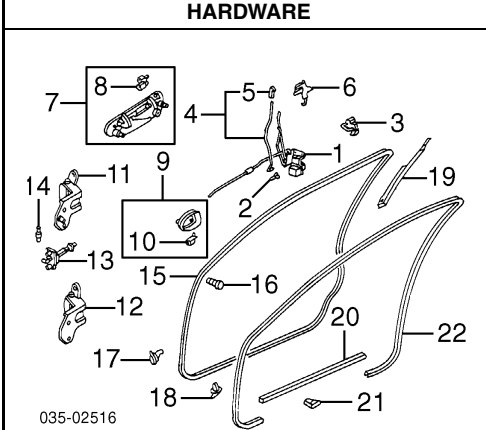
# MAZDA 626 1993-97

FRONT DOOR Cont'd	
<b>EXTERIOR TRIM Cont'd</b>	
*Included w/Lower Moulding Assy	
5 Garnish Assy, Door Corner	R GA2K-50-M10J L GA2K-50-M20K R GA7B-50-M15A L GA7B-50-M25A
*Included w/Door Corner Garnish Assy	
7 Mirror, Rear View†	
Manual	93-94 R GA2K-69-120E-00 L GA2K-69-180E-00 95-97 R GC1P-69-120 L GC1P-69-180
Power w/Defogger	R GC1M-69-120A-00 L GC1M-69-180A-00
w/o Defogger	R GA2L-69-120H-00 L GA2L-69-180H-00
*Brilliant Black listed, Order by Application B1 Valencia P/C; G1 Sahara Gold Metallic; J3 Optimum; J4 Passion Rose; NN Ebony; PZ Brilliant Black; UA Cameo White; UK Performance White; 5S Neat Green MC; 56 Opal; 64 New Sahara Gold B8 Champagne M.; J3 Platinum Opn; J4 Passion Rose; 4Y Caribbean Blue; 5S Neat Green MC; G1 Cream Blue Yellow; G3 Arctic Blue Metallic	
Garnish, Sail	
Man Mirror	93-94 R GA2K-69-111C L GA2K-69-171C 95-97 R GA2N-69-111C L GA2N-69-171C
Pwr Mirror	93-94 R GA2L-69-111C L GA2L-69-171C 95-97 R GA7J-69-111 L GA7J-69-171
Knob, Manual Mirror	
No. 1	R/L D062-69-1B5
No. 2	R/L D062-69-1B6



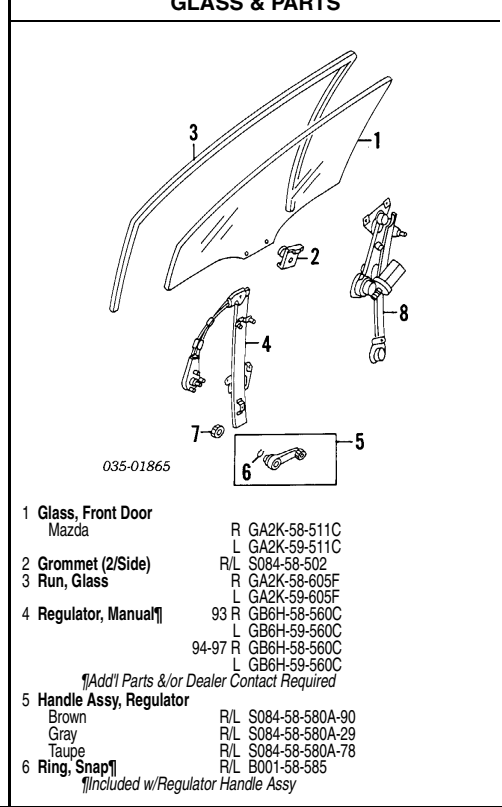
INTERIOR TRIM	
1 Panel Assy, Trim†	
Cloth	
DX Model	
Man Windows	93 R GA2K-68-420L-29 L GA2K-68-450L-29 94-95 R GB6H-68-43Y-29 L GB6H-68-46Y-29 96 R GD1E-68-43Y-29 L GD1E-68-46Y-29 97 R GD1E-68-43Y-29 L GD1E-68-46Y-29
Pwr Windows	93 R GA2L-68-420L-29 L GA2L-68-450L-29 94-95 R GB6K-68-43Y-29 L GB6K-68-450A-29 96-97 R GD1F-68-43Y-29 L GD1F-68-46Y-29
LX, ES Model	93 R GA2P-68-420M-29 L GA2P-68-450M-29 94-95 R GB6L-68-43Y-29 L GB6L-68-46Y-29 96-97 R GD1G-68-43Y-29 L GD1G-68-46Y-29
Leather/Vinyl	93-95 R GA2R-68-43Y-29 L GA2R-68-46Y-29 96-97 R GD1H-68-43Y-29 L GD1H-68-46Y-29
2 Pocket Assy, Door Trim† (a)	
1993	R GA2K-68-4C0E-29 L GA2K-68-4N0E-29
1994-97	R GA2K-68-4C0E-29 L GA2K-68-4N0E-29
3 Lamp Assy, Courtesy† (a) (b)	R/L GA2C-68-4G0-29
*Gray listed, Order by Application 90 Beige; 29 Gray; 78 Taupe	

4 Lens (a) (b) (c)	R/L GA2C-68-4G1
5 Bulb (a) (b) (c)	R/L 0000-11-0194
*Included w/Courtesy Lamp Assy	
6 Grille, Speaker† (a) (b)	R/L GA2K-68-4C0E-78
*Gray listed, Order by Application 02 Black; 29 Gray; 78 Taupe; 80 Beige; 90 Brown (a) Included w/Trim Panel Assy (b) Included w/Door Trim Pocket Assy	
Speaker, Radio	R 0000-81-903S-LH L 0000-81-903S-RH R GA2A-68-D60C-29
7 Handle Assy, Pull† (a)	
Cap, Door Trim† (a)	
w/Pwr Windows (b)	93-94 GA2A-68-D63A-29 95-97 GA5R-68-D62B-02 GA2K-68-D62-29
w/o Pwr Windows	
*Included w/Pull Handle Assy	
10 Panel Assy, Switch† (a)	
Left Only	
Man Windows	GA2K-68-4LYE-29
Pwr Windows	GA2L-68-4LYF-29
*Gray listed, Order by Application 29 Gray; 90 Brown; 02 Black; 78 Taupe	
11 Switch, Pwr Window (b)	
To 6-5-96 (a)	HG30-66-350
From 6-5-96	GD8K-66-350
Cover, Switch† (a) (b)	
Man Windows	GA2M-68-4M6D-29
Pwr Windows	GA2L-68-4M6D-90
*Order by Application 29 Gray; 90 Brown; 02 Black; 78 Taupe (b) Included w/Switch Panel Assy	
14 W/Strip, Inner (a)	R GA2K-58-821C L GA2K-59-821C
15 Cover, Door Lock (a)	
Beige	R/L GA2K-68-421A-90
Gray	R/L GA2K-68-421A-29
Taupe	R/L GA2K-68-421A-78
Fastener, Trim Panel (a)	
Front (2/Side)	R/L GA2A-68-AB1A
Rear (5/Side)	R/L GA2K-68-AB1
18 Cover, Door Trim (a) (2)	
Brown	R GA2K-68-D51B-90 L GA2K-68-D56B-90 R GA2K-68-D51B-29 L GA2K-68-D56B-29
Gray	
*Included w/Trim Panel Assy	
19 Cover, Recess	R/L GA2K-68-424C
20 Brkt, Pull Handle	R/L GJ21-68-525A
21 Grommet, Upper	
To 11-9-94	R/L GA2A-68-AD5C
From 11-9-94	R/L GA2K-68-AD5A
22 Clip, Trim	R/L GA2A-68-AD2A
23 Grommet, Pocket (2/Side)	R/L FA54-68-402



HARDWARE	
1 Latch Assy, Door	
Manual	93-94 R GA2K-58-310C L GA2K-59-310C 95-97 R GC1M-58-310 L GC1M-59-310
Power w/Theft Deterrent	93-94 R GA2N-58-310C L GA2L-59-310E 95-97 R GC1N-58-310D L GC1M-59-310
w/o Theft Deterrent	93-94 R GA2L-58-310B L GA2L-59-310E 95-97 R GC1P-58-310C L GC1P-59-310C
2 Clip, Latch† (2/Side)	R G030-58-315 L G030-59-315
*Included w/Door Latch Assy	
3 Striker, Latch Cylinder w/Key	R/L H260-58-361A
1993-95	
w/Theft Deterrent	R GAYL-76-210A L GAYL-76-220A
w/o Theft Deterrent	R GAYK-76-210A L GAYK-76-220A
1996-97	
w/Keyless Entry	R GAYL-76-210A L GAYL-76-220A
w/o Keyless Entry	R GA2K-76-210F L H4Y9-76-220

4 Rod Assy, Latch	
Brown	R/L GA2K-58-390A-90
Gray	R GA2K-58-390A-29 L GA2K-59-390A-29 R GA2K-58-390A-78 L GA2K-59-390A-78
Taupe	
5 Knob, Latch†	
Brown	R/L H260-58-316-90
Gray	R/L H260-58-316-29
Taupe	R/L H260-58-316-78
*Included w/Latch Rod Assy	
6 Stopper, Latch Knob	R GA2K-58-306A L GA2K-59-306A
7 Handle Assy, Outside†	R GD1F-58-410-NN L GA7B-59-410G-PZ
*Brilliant Black listed, Order by Application G1 Sahara Gold Metallic; G3 Arctic Blue Metallic; PZ Brilliant Black; UA Cameo White; 13 Passion Rose; 46 Neat Green; 67 Platinum; 64 New Sahara Gold; B8 Champagne M.; J3 Platinum Opn; J4 Passion Rose; 4Y Caribbean Blue; 5S Neat Green MC; 56 Opal; 48 Medium Poppy; G3 Arctic Blue Metallic; UK Performance White; 24 Timberline; B1 Valencia P/C; NN Ebony	
8 Joint, Handle†	R/L B455-58-411
*Included w/Outside Handle Assy	
9 Handle Assy, Inside	
Brown	R GA2K-58-330B-90 L GA2K-59-330B-90
Gray	R GA2K-58-330B-29 L GA2K-59-330B-29
10 Clip, Inside Handle†	R B001-59-335 L FB01-58-335
*Included w/Inside Handle Assy	
11 Hinge, Upper	R GA2L-58-210A L GA2L-59-210A
12 Hinge, Lower	R GA2L-58-240A L GA2L-59-240A
13 Check, Door	R/L GA2K-58-270C
14 Pin, Door Check	R/L H260-58-265C
15 Weatherstrip Assy, Door	
To 3-16-95	R GA2K-58-760J L GC1M-59-760B
From 3-16-95	R GC1M-58-760B L GC1M-59-760B
Fastener, Weatherstrip†	
No. 1	R/L 9926-40-531B
No. 2 (5/Side)	R/L GA2A-58-762
No. 3 (14/Side)	R/L G031-58-762
*Included w/Door Weatherstrip Assy	
19 Plate, Seal	R GA2K-58-767B L GA2K-59-767B
20 Weatherstrip Assy, Lower	R/L GA2K-58-76XA
21 Fastener, Lower W/Strip†	
(4/Side)	R/L G031-58-762
*Included w/Lower Weatherstrip Assy	
22 Welt, Seaming	
Brown	R GA2K-68-911C-90 L GA2K-68-912C-90
Gray	R GA2K-68-911C-29 L GA2K-68-912C-29
Taupe	R GA2K-68-911-78 L GA2K-68-912-78

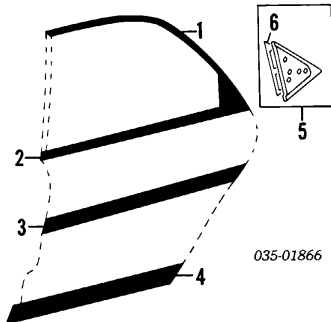


- 7 Escutcheon, Handle
  - Brown R/L A002-58-582-90
  - Gray R/L A002-58-582-29
  - Taupe R/L A002-58-582-78
- 8 Regulator, Power
  - R GB6J-58-560D
  - L GB6J-59-560D

**REAR DOOR SHEET METAL**

- Shell Assy, Door R GDYE-72-02XB
  - L GDYE-73-02XB
  - Panel, Door Repair<sup>†</sup> R GA2K-72-031D
  - L GA2K-73-031D
- <sup>†</sup>Included w/Door Shell Assy

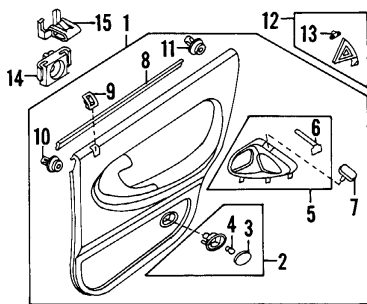
**EXTERIOR TRIM**



035-01866

- 1 Moulding, Sash R GA2K-50-991C
  - L GA2K-50-995C
  - 2 Moulding Assy, Belt R GA2K-50-660F
  - L GA2K-50-670F
  - Protector, Belt Mldg<sup>†</sup> R GA2A-50-649
  - L GA2K-50-649A
- <sup>†</sup>Included w/Belt Moulding Assy
- 3 Moulding, Side Adhesive R GA2K-50-683D-00
  - L GA2K-50-693D-00
- <sup>†</sup>Brilliant Black listed, Order by Application  
 G1 Sahara Gold Metallic; G3 Arctic Blue Metallic; T3 Platinum OPM; J4 Passion Rose; NN Ebony; PZ Brilliant Black; UA Cameo White; UK Performance White; 5S Neat Green; 56 Opal; 64 New Sahara Gold B8 Champagne M.; J3 Platinum Opm; J4 Passion Rose; 4Y Carribean Blue; 5S Neat Green MC; 21 Sandal Wood; G1 Sahara Gold Metallic; G3 Arctic Blue Metallic; 48 Medium Poppy; 24 Timberline
- 4 Moulding Assy, Lower Clip-On To 8-25-95 R GA2K-50-L50C
  - L GA2K-50-L60C
  - From 8-25-95 R GB6H-50-L50
  - L GB6H-50-L60
- Clip, Lower Moulding<sup>†</sup>  
 To 8-25-95 (4/Side) R/L GA2K-50-L32A  
 From 8-25-95 (6/Side) R/L GA2K-50-L32A
- <sup>†</sup>Included w/Lower Moulding Assy
- 5 Garnish Assy, Door Corner R GA2K-50-M30L
  - L GA2K-50-M40L
  - 6 Seal, Garnish<sup>†</sup> R G516-50-M35
  - L G516-50-M45
- <sup>†</sup>Included w/Door Corner Garnish Assy

**INTERIOR TRIM**



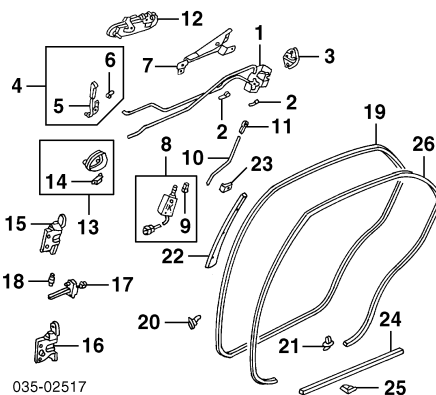
035-01867

- 1 Panel Assy, Trim<sup>†</sup> Cloth DX Model Man Windows 93 R GA2K-68-520J-29
- L GA2K-68-550J-29
- 94 R GB6H-68-520A-29
- L GB6H-68-550A-29
- 95-97 R GD1E-68-53Y-29
- L GD1E-68-56Y-29
- Pwr Windows 93 R GA2L-68-520J-29
- L GA2L-68-550J-29
- 94-95 R GB6H-68-520A-29

- L GB6H-68-550A-29
  - 96-97 R GD1F-68-53Y-29
  - L GD1F-68-56Y-29
  - LX, ES Model 93 R GA2P-68-520K-29
  - L GA2P-68-550K-29
  - 94 R GB6L-68-520A-29
  - L GB6L-68-550A-29
  - 95 R GC1S-68-53Y-29
  - L GC1S-68-550-29
  - 96-97 R GD1G-68-53Y-29
  - L GD1G-68-56Y-29
  - Leather/Vinyl 93-94 R GA2R-68-520J-29
  - L GA2R-68-550J-29
  - 95 R GD0S-68-520A-29
  - L GD0S-68-550A-29
  - 96-97 R GD1H-68-53Y-29
  - L GD1H-68-56Y-29
- <sup>†</sup>Gray listed, Order by Application

- 2 Lamp Assy, Courtesy (a) Brown R/L GA2C-68-4G0-90
  - Gray R/L GA2C-68-4G0-29
  - 3 Lens (a) (b) R/L GA2C-68-4G1
  - 4 Bulb (a) (b) R/L 0000-11-0194
- (b) Included w/Courtesy Lamp Assy
- 5 Handle Assy, Pull (a) Brown R GA2A-68-D60C-90
  - L GA2K-68-D90C-90
  - Gray R GA2A-68-D60C-29
  - L GA2K-68-D90C-29
- 6 Cap, Door Trim (a) (b) Rear R GA5R-68-D62B-02
  - L GA5R-68-D82B-02
- (b) Included w/Pull Handle Assy
- 7 Cap, Switch Hole (a) Brown R/L GA2K-68-D62-90
  - Gray R/L GA2K-68-D62-29
  - Taupe R/L GA2K-68-D62-78
- 8 W/Strip, Inner (a) R GA2K-72-821C
  - L GA2K-73-821C
- 9 Cover, Door Lock (a) Beige R/L GA2K-68-421A-90
  - Gray R/L GA2K-68-421A-29
  - Taupe R/L GA2K-68-421A-78
- 10 Front R/L GA2A-68-AB1A
  - 11 Rear R/L GA2K-68-AB1
- (a) Included w/Trim Panel Assy
- 12 Garnish Assy, Sail Inner R GA2K-68-51XJ
  - L GA2K-68-51YJ
- 13 Clip, Garnish<sup>†</sup> R/L B499-68-AD1A
- <sup>†</sup>Included w/Inner Sail Garnish Assy
- 14 Grommet, Upper R/L GA2K-68-AD5A
  - 15 Clip, Trim R/L GA2A-68-AD2A

**HARDWARE**

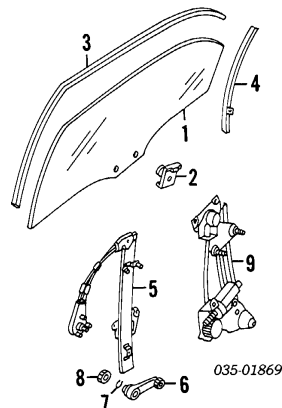


035-02517

- 1 Latch Assy, Door w/Theft Deterrent R GA2M-72-310B
  - L GA2M-73-310B
  - w/o Theft Deterrent R GA2K-72-310A
  - L GA2K-73-310A
  - 2 Clip, Latch<sup>†</sup> (2/Side) R/L G030-59-315
- <sup>†</sup>Included w/Door Latch Assy
- 3 Striker, Latch R/L H260-58-361A
- 4 Knob Assy, Latch Brown R GA2L-72-390-90
  - Gray L GA2L-73-390-90
  - L GA2L-72-390-29
  - Taupe L GA2L-73-390-29
  - L GA2L-72-390-78
  - L GA2L-73-390-78
- 5 Knob, Latch<sup>†</sup> Brown R/L H260-58-316-90
  - Gray R/L H260-58-316-29
  - Taupe R/L H260-58-316-78
- 6 Clip, Knob<sup>†</sup> (4/Side) R G030-58-315
  - L G030-59-315
- <sup>†</sup>Included w/Latch Knob Assy
- 7 Protector, Rod 1993-94 R GA2K-72-308C
  - L GA2K-73-308C
  - 1995-97 R GA2K-72-308C
  - To 2-21-95 L GA2K-73-308C
  - From 2-21-95 R/L GB6H-72-308
- 8 Actuator Assy, Latch R D061-58-350A

- 9 Clip, Actuator<sup>†</sup> L D061-59-350A
  - R/L B093-58-351
- <sup>†</sup>Included w/Latch Actuator Assy
- 10 Rod, Actuator R GA2K-72-352
  - L GA2K-73-352
- 11 Clip, Rod (4/Side) R G030-58-315
  - L G030-59-315
- 12 Handle, Outside<sup>†</sup> To 11-9-95 R GD1E-72-410-NN
  - L GA7B-73-410C-PZ
  - From 11-9-95 R GD1E-72-410-NN
  - L GD1E-73-410-NN
- <sup>†</sup>Black listed, Order by Application  
 G1 Sahara Gold Metallic; G3 Arctic Blue Metallic; PZ Brilliant Black; UA Cameo White; 13 Passion Rose; 46 Neat Green MC; 67 Platinum; NN Ebony; B8 Champagne M; J3 Platinum Opm; J4 Passion Rose; UA Cameo White; 24 Timberline;  
 4Y Carribean Blue M; 5S Neat Green MC; 48 Medium Poppy;  
 B1 Valencia P/C; 56 Opal
- 13 Handle Assy, Inside Brown R GA2K-58-330B-90
  - L GA2K-59-330B-90
  - Gray R GA2K-58-330B-29
  - L GA2K-59-330B-29
  - Taupe R GA2K-58-330B-78
  - L GA2K-59-330B-78
- 14 Clip, Handle<sup>†</sup> R B001-59-335
  - L FB01-58-335
- <sup>†</sup>Included w/Inside Handle Assy
- 15 Hinge, Upper R GA2L-72-210B
  - L GA2L-73-210B
- 16 Hinge, Lower R GA2L-72-240B
  - L GA2L-73-240B
- 17 Check, Door R/L GA2K-72-270F
- 18 Pin, Door Check R/L H260-58-265C
- 19 Weatherstrip Assy, Door To 3-95 R GA2K-72-760D
  - L GA2K-73-760D
  - From 3-95 R GC1M-72-760A
  - L GC1M-73-760A
- 20 Fastener, Weatherstrip<sup>†</sup> No. 1 (6/Side) R/L GA2A-58-762
  - No. 2 (14/Side) R/L G031-58-762
- <sup>†</sup>Included w/Door Weatherstrip Assy
- 22 Plate, Seal To 3-16-95 R GA2K-72-768B
  - L GA2K-73-768B
  - From 3-16-95 R GC1M-72-768B
  - L GC1M-73-768B
- 23 Grommet (3/Side) R/L GA2K-72-769
- 24 Weatherstrip Assy, Lower Fastener, Lower W/Strip<sup>†</sup> (4/Side) R/L G031-58-762
- <sup>†</sup>Included w/Lower Weatherstrip Assy
- 26 Welt, Seaming Brown R GA2K-68-913A-90
  - Gray R GA2K-68-914A-90
  - L GA2K-68-913A-29
  - Taupe R GA2K-68-914A-29
  - L GA2K-68-913-78
  - L GA2K-68-914-78

**GLASS & PARTS**



035-01869

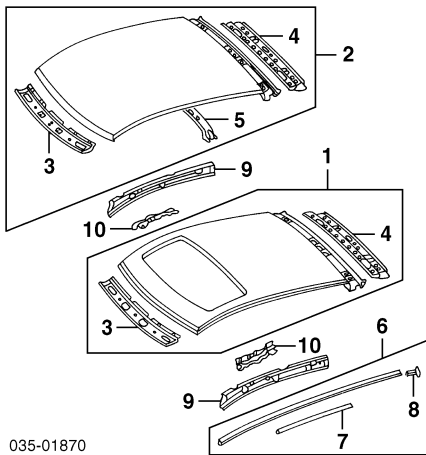
- 1 Glass, Rear Door Mazda R GA2K-72-511B
  - L GA2K-73-511B
- 2 Grommet (2/Side) R/L S084-58-502
- 3 Run, Glass R GA2K-72-605D
  - L GA2K-73-605D
- 4 Guide, Glass R GA2K-72-603G
  - L GA2K-73-603G
- 5 Regulator, Manual<sup>†</sup> 93 R GB6H-72-560C
  - L GB6H-73-560C
  - 94-97 R GB6H-72-560C
  - L GB6H-73-560C
- <sup>†</sup>Add<sup>†</sup> Parts &/or Dealer Contact Required
- 6 Handle Assy, Regulator Brown R/L S084-58-580A-90
  - Gray R/L S084-58-580A-29
  - Taupe R/L S084-58-580A-78
- 7 Ring, Snap<sup>†</sup> R/L B001-58-585
- <sup>†</sup>Included w/Regulator Handle Assy
- 8 Escutcheon, Handle

# MAZDA 626 1993-97

## REAR DOOR Cont'd

GLASS & PARTS Cont'd	
Brown	R/L A002-58-582-90
Gray	R/L A002-58-582-29
Taupe	R/L A002-58-582-78
9 Regulator, Power	93 R GB6J-72-560D
	L GB6J-72-560D
	94-97 R GB6J-72-560D
	L GB6J-72-560D

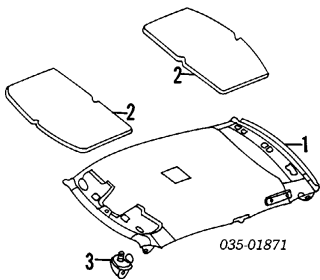
## ROOF SHEET METAL/EXTERIOR TRIM



035-01870

1 Panel Assy, Roof	GA2L-70-600A
2 w/Sunroof	GA2K-70-600B
3 Header, Front	GA2K-70-641A
4 Header, Rear	GA2K-70-701
5 Reinf, Roof	
w/o Sunroof	GA2K-70-661A
6 Moulding Assy, Roof	R GC1M-50-9H0-PZ
	L GC1M-50-9L0-PZ
*Brilliant Black listed, Order by Application	
G1 Sahara Gold Metallic; G3 Arctic Blue Metallic;	
J3 Platinum; J4 Lonely Brown Metallic; NN Ebony;	
PZ Brilliant Black; UA Cameo White; UK Performance White;	
46 Neat Green MC; 56 Opal; 64 New Sahara Gold	
B8 Champagne M; J3 Platinum Opm; J4 Passion Rose;	
5S Neat Green MC; B1 Valencia;	
24 Timberline; 48 Medium Poppy	
7 Retainer, Roof Mldg (a)	R/L GA2K-50-9H5A
8 Protector, Roof Mldg (a)	R GA2M-50-9H1
	L GA2M-50-9L1
(a) Included w/Roof Moulding Assy	
9 Rail, Roof Inner	R GA2K-70-050B
	L GA2K-71-050B
10 Bracket, Sunroof	R GA7C-70-621A
	L GA7C-71-621A

## INTERIOR TRIM

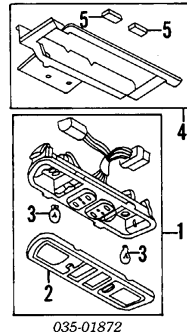


035-01871

1 Headliner	
w/Sunroof	
Light Beige	
To 1-3-95	GA2L-68-030J-80
From 1-3-95 to 4-4-95	GC1N-68-030D-80
From 4-4-95 to 6-13-95	GA2L-68-030J-80
From 6-13-95	GC1N-68-030D-80
Light Gray	
To 1-3-95	GA2L-68-030J-27
From 1-3-95 to 4-4-95	GC1N-68-030D-80
From 4-4-95 to 6-13-95	GA2L-68-030J-80
From 6-13-95	GC1N-68-030D-80
Light Taupe	
w/o Sunroof	GA2L-68-030J-83
w/Spot Lamp	
Light Beige	GA2K-68-030G-80

Light Gray	GA2K-68-030G-27
Light Taupe	GA2K-68-030E-83
w/o Spot Lamp	
Light Beige	GA2M-68-030G-80
Light Gray	GA2M-68-030G-27
Light Taupe	GA2K-68-030E-83
2 Insulator, Roof (2)	
w/o Sunroof	GA2K-68-021A
3 Adapter, Sun Visor	
Light Beige	R/L GA2K-69-261-80
Light Gray	R/L GA2A-69-261A-27
Light Taupe	R/L GA2A-69-261A-77
Handle, Assist	
1993-94	
Light Beige	R GA2L-69-470C-80
	L GA2M-69-470C-80
Light Gray	R GA2L-69-470C-27
	L GA2M-69-470C-27
Light Taupe	R/L GA2K-69-470-77
1995-97	
Light Beige	R/L B100-69-471-80
Light Gray	R/L B100-69-471-27
Cap, Assist Handle (6)	
1993-94	
Light Beige	R/L C001-69-472B-80
Light Gray	R/L C001-69-472B-27
Light Taupe	R/L C001-69-472B-77
1995-97	
Light Beige	R/L G030-69-472A-80
Light Gray	R/L G030-69-472A-27
*Order by Application	
Bracket, Assist Handle	
Right (2)	93 GA2K-69-45Y
	94-97 GA2K-69-45YB
	GA2K-69-45ZB
Left	
Hanger, Coat	
1993-94	
Light Beige	C001-69-531D-80
Light Gray	C001-69-531D-27
Light Taupe	C001-69-531D-77
1995-97	
Light Beige	R GC1M-69-531A-80
	L GC1M-69-536A-80
Light Gray	R/L GC1M-69-531A-27
*Order by Application	

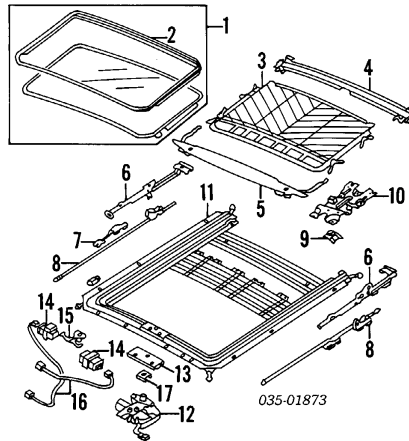
## OVERHEAD CONSOLE



035-01872

1 Console Assy, Overhead	GA2L-69-970D-27
Light Gray	GA2L-69-970D-80
Light Beige	GA2L-69-970A-77
Light Taupe	GA2L-69-970A-77
2 Lens	GA2L-69-877A
3 Bulb (2)	0000-11-0194
*Included w/Overhead Console Assy	
4 Bracket Assy, Console	GA2L-69-98XE
5 Stopper (2)	GA2L-69-977B
*Included w/Console Bracket Assy	

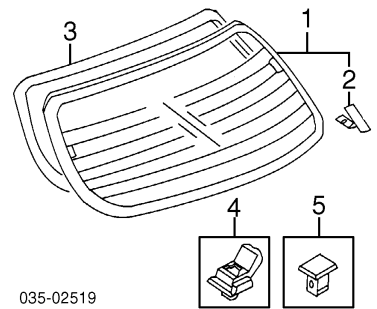
## SUNROOF



035-01873

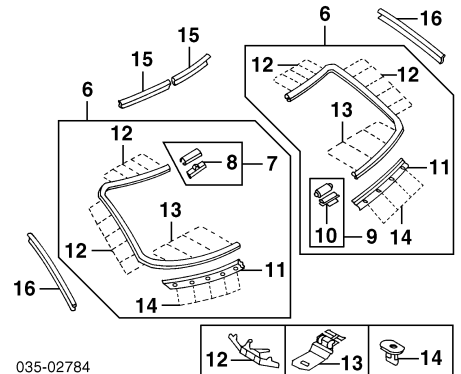
1 Glass, Sunroof	GA2L-69-810C
2 Weatherstrip, Sunroof-Serviced w/Sunroof Glass	
3 Sunshade	
Light Beige	GA2L-69-890-80
Light Gray	GA2L-69-890-27
Light Taupe	GA2L-69-890-83
4 Rail, Drip	HG30-69-867
5 Deflector, Air	HG40-69-880
6 Plate, Position	R HG30-69-858
	L HG30-69-859
7 Guide, Front	R/L HG40-69-862-3
8 Guide, Rear	R HG40-69-864
	L HG30-69-865A
9 Bracket, Rear	R/L GA2L-69-84X
10 Bracket, Room Lamp	GA2L-69-846B
11 Housing, Sliding Roof	HG40-69-840
12 Motor, Sliding Roof	HG40-69-871
13 Cover, Motor (2)	HG40-69-875
14 Relay, Sliding Roof (2)	H442-67-740A
15 Bracket, Relay	HG30-69-84YA
16 Harness, Sliding Roof	GA2L-69-872A
17 Guide, Cable	HG40-69-877

## BACK WINDOW



035-02519

1 Glass Assy, Back Window	
Mazda (Green)	GB8A-63-930
2 Stopper, Glass (3)	KA01-63-959
*Included w/Back Window Glass Assy	
3 Dam, Glass	93-94 GA7B-50-899
	95-97 GA7B-50-899
4 Spacer, Glass Outer	R/L D061-50-893
5 Spacer, Glass Inner	R/L GA2A-50-891B



035-02784

6 Moulding Assy, Back Glass	R/L 8AG9-50-612-3
7 Joint Assy, Moulding Upper	GA2K-50-6HYC
8 Protector, Joint (a)	GA2K-50-6H3C
(a) Included w/Moulding Upper Joint Assy	
9 Joint Assy, Moulding Lower	GA2K-50-6L0C
10 Protector, Joint (b)	GA2K-50-6H3C
(b) Included w/Moulding Lower Joint Assy	
11 Protector, Lower Mldg	R GA2K-50-6H1C
	L GA2K-50-6H2C
Retainer, Mldg	
12 Type A (11/Side)	R/L GA2A-50-6G8B
13 Type B (4/Side)	R/L GA2A-50-6H9
14 Type C (4/Side)	R/L H260-50-6K8
*Included w/Back Glass Moulding Assy	
15 Protector, Upper Mldg	R/L GA2A-50-6G4B
16 Protector, Side Mldg	R/L GA2K-50-6G2B

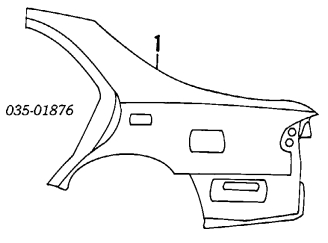
## QUARTER PANEL

### SHEET METAL

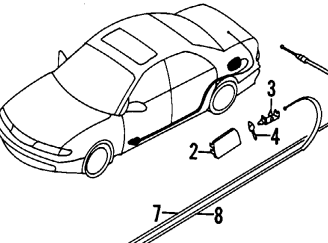
Illustration Located in Next Column

1 Panel, Outer Quarter	R GAYK-70-400
	L GAYK-71-400
2 Door, Fuel	GA2K-42-410A

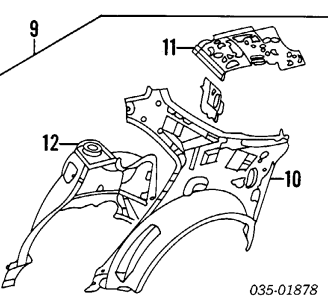
# MAZDA 626 1993-97



035-01876



035-01877



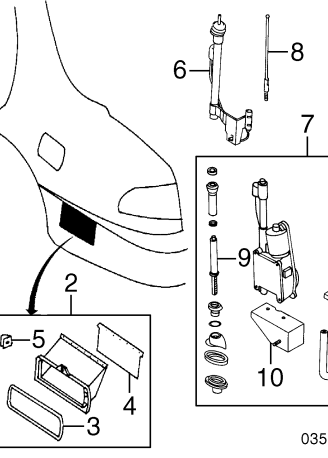
035-01878

3 Opener, Fuel Door	EA01-56-890D
4 Spring, Lift	93 D061-42-451B
	94-97 GA5R-42-451C
5 Lever, Opener	GA2A-56-860A
6 Knob, Opener	GA2A-56-861
7 Cable, Fuel Door	GA2K-56-880A
8 Cable, Deck Lid	GA2K-56-870A

9 Panel Assy, Quarter Inner	R GAYK-70-100
	L GAYK-71-100
10 Panel, Inner	R GA2K-70-11X
	L GA2K-71-11X
11 Ext. Package Tray	R GA2K-70-180C
To 5-6-93	L GA2K-71-180C
From 5-6-93	R GA2K-70-180C
	L GA2K-71-180C
12 Panel, Wheelhouse	R GA2A-70-150
	L GA2A-71-150

†Included w/Inner Quarter Panel Assy

## EXTERIOR TRIM

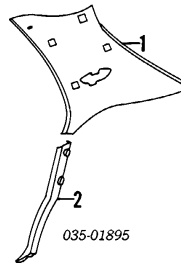


035-02518

1 Moulding, Lower	R GA7B-50-4P1
	L GA7B-50-4R1

2 Chamber Assy, Extractor	L GA2A-51-920B
3 Gasket, Chamber	GA2A-51-922
4 Valve, Extractor	GA2A-51-924A
5 Clip (2)	GA2A-51-925A
	†Included w/Extractor Chamber Assy
6 Antenna, Manual	0000-81-930M
7 Antenna Assy, Power	
To 10-25-94	0000-81-6930
From 10-25-94	0000-81-9306
Mast, Antenna	
8 Manual	0000-81-904C
9 Power	
To 10-25-94	0000-81-0532-CR
From 10-25-94	0000-81-6626
10 Bracket, Power Antenna	GA2L-66-A9X
	†Included w/Power Antenna Assy

## INTERIOR TRIM

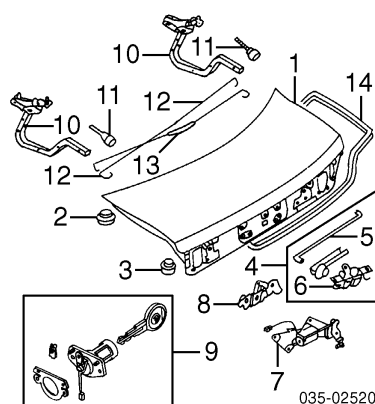


035-01895

1 Panel, Upper Trim	
Light Beige	R GA2K-68-250B-80
	L GA2K-68-260B-80
Light Gray	R GA2K-68-250B-27
	L GA2K-68-260B-27
Light Taupe	R/L GA2K-68-250B-77
2 Panel, Trim Lower	
Brown	R GA2K-68-760C-90
	L GA2K-68-770C-90
Gray	R GA2K-68-760C-29
	L GA2K-68-770C-29
Taupe	R/L GA2K-68-760C-78

## LUGGAGE LID

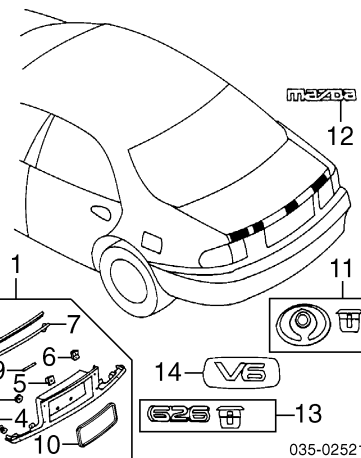
### SHEET METAL



035-02520

1 Lid, Luggage	GBYH-52-61X
Trim, Inner Luggage Lid	GB6H-68-8WXA-97
2 Stopper, Lid	R/L 0208-72-941
3 Cushion, Lid	R/L B092-62-877
4 Latch Assy, Lid	93-95 GA2K-56-820E
	96-97 GD1E-56-820B
	GA2K-56-822A
5 Rod, Lid Opener	93-95 GA2A-56-823
6 Protector, Lock	96-97 GB8A-56-823
	†Included w/Lid Latch Assy
7 Actuator, Latch	GD1E-56-890C
Cable, Deck Lid-See Quarter Panel Section	
8 Striker, Latch	GA2K-56-840B
9 Cylinder w/Key	
1993-95	GA2L-76-230C
w/Theft Deterrent	GA2K-76-230B
w/o Theft Deterrent	GA2K-76-230B
1996-97	R GA2K-52-710D
	L GA2K-52-710D
10 Hinge, Lid	L GA2K-52-720D
	R/L G211-56-802
11 Bolt, Hinge	R GB6J-52-791
12 Spring Assy, Balance	L GB6J-52-790A
	B130-56-805A
13 Protector, Spring	
	†Included w/Left Balance Spring Assy
14 Weatherstrip, Lid	GA2K-56-951B

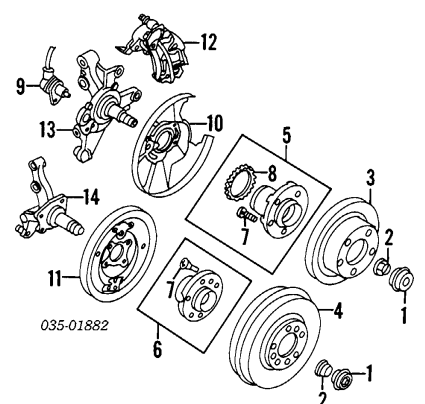
## EXTERIOR TRIM



035-02521

1 Panel Assy, Outer Finish (P)	
1993-95	GA2K-50-850B-00
1996-97	GD1E-50-850B-00
	(P) Paint to Match
2 Collar, Finish Panel	R/L BW1N-51-3F4
3 Gasket Upper	R/L G030-50-786
4 Gasket, Lower	R/L G030-51-914
5 Grommet	F044-51-912
6 Fastener (4)	B173-50-852A
7 Reinforcement	GA2K-50-852
8 Protector, Front	GA2K-50-853
9 Protector, Rear (3)	G211-50-8F2
10 Moulding, Outer Finish	
1996-97 Only	GD1E-50-852A
	†Included w/Outer Finish Panel Assy
11 Emblem Nameplate	GA2M-51-740A
12 "Mazda"	GA2K-51-711
13 "626"	GA2K-51-720
14 "V6"	GA2K-51-771B
Spoiler, Air	G516-V4-920G

## REAR SUSPENSION



035-01882

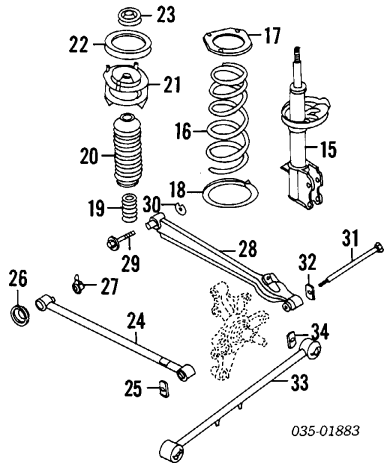
1 Cap, Dust	R/L GA2A-26-071
2 Nut, Hub	R/L GJ21-33-042B
3 Rotor, Brake	R/L GA3Y-26-251
4 Drum, Brake	R/L GA2Y-26-251A
Hub Assy, Wheel	
5 w/ABS	R/L GA2G-26-15X
6 w/o ABS	R/L GD7A-26-15X
7 Bolt, Hub	R/L GA2A-33-062
8 Rotor, ABS Sensor	R/L GA2G-26-471
	†Included w/Wheel Hub Assy
9 Sensor, ABS Rear-See Anti-Lock Brake System Section	
10 Shield, Splash	R GA2E-26-261
	L GA2E-26-271
11 Plate, Backing	R GA2A-26-280
	L GA2A-26-290
12 Caliper, Brake	93 R G5Y6-26-98ZR
	L G5Y6-26-99ZR
	94-97 R G5Y6-26-98ZR
	L G5Y6-26-99ZR
	R/L GA2A-43-810
Hose, Brake	
	†Order by Application
Knuckle	
13 Disc Brakes	
w/ABS	R GA2G-26-1A0A
	L GA2G-26-1B0A
w/o ABS	R GA2E-26-1A0A
	L GA2E-26-1B0A
14 Drum Brakes	R GD7A-26-1A0



# MAZDA 626 1993-97

## REAR SUSPENSION Cont'd

L GD7A-26-1B0



- 15 **Strut**  
To 6-24-93  
From 6-24-93
- 16 **Spring, Coil**  
1993
- 1994
- 1995-97  
To 5-24-95
- From 5-24-95
- 17 **Seat, Spring Upper**
- 18 **Seat, Spring Lower**
- 19 **Stopper, Bumper**
- 20 **Boot, Dust**  
To 7-12-95  
From 7-12-95
- 21 **Mount, Insulator**
- 22 **Pad, Spring**
- 23 **Cap, Mount**
- 24 **Link, Front Lateral**  
To 11-3-95
- From 11-3-95
- Washer, Front Lateral Link**
- 25 **Outer (2/Side)**
- 26 **Inner**
- 27 **Nut Set**  
To 2-16-96  
From 2-16-96
- 28 **Link, Rear Lateral**
- 29 **Bolt, Adjust**  
To 5-17-96  
From 5-17-96
- 30 **Plate, Cam**  
To 5-17-96  
From 5-17-96
- 31 **Bolt, Rear Link**
- 32 **Washer, Bolt**
- 33 **Link, Trailing**
- 34 **Washer, Link (2/Side)**

R/L G04S-28-700C  
R/L GB6H-28-700

R G506-28-011  
L G507-28-011  
R G508-28-011  
L G509-28-011

R G508-28-011  
L G509-28-011  
R GB6H-28-011  
L G509-28-011

R/L GA2A-28-012A  
R/L GA2A-28-0A3A  
R/L GA2A-28-111

R/L GA2A-28-0A5  
R/L GD1E-28-0A5  
R GA2A-28-380A  
L GA2A-28-390A  
R/L GA2A-28-003  
R/L GA2A-28-019

R GA2A-28-620  
L GA2A-28-62X  
R GC2A-28-620  
L GC2A-28-62X

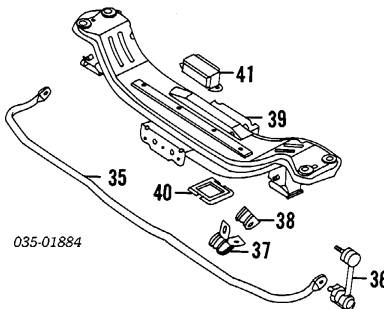
R/L GA2A-28-998A  
R/L GA2A-28-662

R/L GA2A-28-66Y  
R/L B001-39-037

R GC5J-28-600  
L GC5J-28-60X

R/L CAY9-28-6AZ  
R/L CA35-28-66ZA

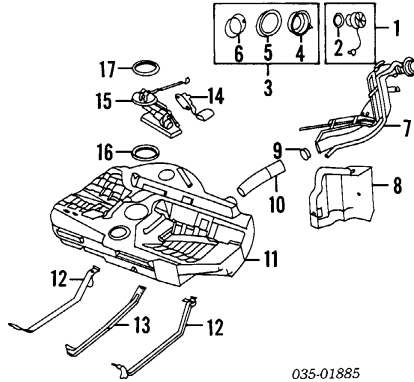
R/L H266-28-473  
R/L CA35-28-473  
R/L GA2A-28-113A  
R/L GA2A-28-999A  
R/L GA2A-28-200A  
R/L GA2A-28-998A



- 35 **Bar, Stabilizer**
- 36 **Link, Stabilizer**  
To 9-13-95  
From 9-13-95
- 37 **Bracket, Stabilizer**
- 38 **Bushing, Stabilizer**
- 39 **Crossmember, Susp**
- 40 **Cover, Crossmember**
- 41 **Damper, Dynamic**

GA5R-28-151  
R/L GA2C-28-170B  
R/L GD1J-28-170  
R/L GA2A-28-155A  
94-97 R/L GB6H-28-155  
R/L GA2A-28-156A  
R/L GA2A-28-800  
R/L GA2A-28-831A  
R/L GA2A-28-660

## FUEL TANK

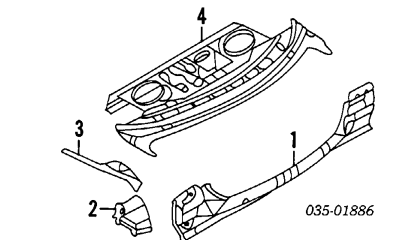


- 1 **Cap Assy, Fuel Tank**
- 2 **Gasket, Cap**
- 3 **Cover Assy, Dust**
- 4 **Cover, Lever**
- 5 **Gasket Upper**
- 6 **Gasket, Lower**
- 7 **Hose, Filler**
- 8 **Protector, Filler Hose**
- 9 **Valve, Non Return**
- 10 **Hose, Joint**
- 11 **Tank, Fuel**
- 12 **Band, Tank Mtg Outer**  
Right  
Left
- 13 **Band, Tank Mtg Center**
- 14 **Gauge, Fuel Tank**  
To 7-28-95  
From 7-28-95
- 15 **Pump, Fuel**  
To 12-19-94  
From 12-19-94
- 16 **Gasket, Fuel Pump**
- 17 **O Ring**

GAY1-42-250  
GA2A-42-252  
GA2A-42-240B  
GA2A-42-241B  
GA2A-42-244  
BF71-42-243  
GA2A-42-210B  
GA2A-42-291A  
GA2A-42-270  
GA2A-42-231B  
GA2A-42-A10J  
GA2A-42-710A  
GA2A-42-720C  
GA2C-42-720B  
GA2A-42-730A  
GA2A-60-960B  
GA2A-60-960B  
KL12-13-350G  
KL12-13-350H  
GA2A-42-A61A  
BW0A-42-A62

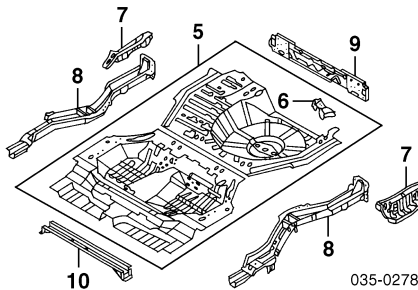
## REAR BODY

### SHEET METAL



- 1 **Panel, Rear End**
- 2 **Plate, Rear Corner**
- 3 **Rail, Drip Rear**
- 4 **Panel, Package Tray**

GA2K-70-750B  
R GA2K-70-481B  
L GA2K-71-481B  
R GA2K-70-441C  
L GA2K-71-441C  
GA2K-70-500K



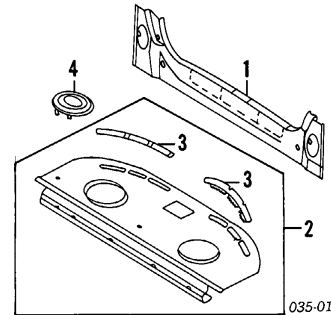
- 5 **Pan Assy, Rear Floor**
- 6 **Bracket, Muffler**
- 7 **Panel, Floor Side**
- 8 **Sidemember, Rear**
- 9 **Crossmember, Rear**

GAYK-53-71Y  
GJ21-53-770A  
R GN81-53-731B  
L GA2A-54-731C  
R GA2A-53-810D  
L GA2A-54-810D  
GD7B-53-980

10 Crossmember, Front

GAYA-53-920B

## INTERIOR TRIM

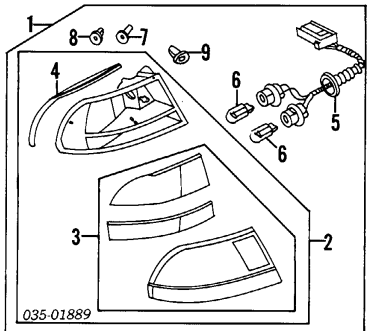


- 1 **Trim, Rear End**
- 2 **Trim Assy, Package Tray**  
Brown  
Gray  
Taupe
- 3 **Grille, Extractor**  
Brown  
Gray  
Taupe
- 4 **Grille, Speaker**  
Brown  
Black  
Gray
- Speaker, Radio**
- Cover, Hole**

GA2K-68-89XE-96  
GA2K-68-3A0C-90  
GA2K-68-3A0C-29  
GA2K-68-3A0C-78  
R GA2K-68-3A3-90  
L GA2K-68-3A4-90  
R GA2K-68-3A3-29  
L GA2K-68-3A4-29  
R GA2K-68-3A3-78  
L GA2K-68-3A4-78  
R/L GA2A-68-3S0A-90  
R/L GA2A-68-3S0A-02  
R/L GA2A-68-3S0A-29  
R/L 0000-81-904U  
R/L GA7B-66-962A

## REAR LAMPS

### COMBINATION LAMP ON QUARTER PANEL



- 1 **Lamp Assy**
- 2 **Lens & Body Assy**
- 3 **Lens** (a)
- 4 **Protector, Lamp**  
1993 (a)  
1994-97-Serviced w/Lens & Body Assy  
(a) Included w/Lens & Body Assy
- 5 **Socket & Wire**
- 6 **Bulb**  
Stop/Tail  
Signal
- 7 **Fastener, Upper**
- 8 **Fastener, Lower**
- 9 **Grommet** (2/Side)

R 8DGY-51-150  
R 8DGY-51-160  
R GA2K-51-170C  
L GA2K-51-180C  
R GA2K-51-151A  
L GA2K-51-161A  
R/L GA2K-51-159A  
R/L GA2K-51-155A  
R/L 0000-11-0921  
R/L 0000-11-1157  
93 R/L G211-50-6L5  
94-97 R/L GA7B-51-146  
R/L B130-51-919  
R/L G516-51-142

### COMBINATION LAMP ON LUGGAGE LID

Illustration Located in Next Column

- 1 **Lamp Assy**  
w/Keyless Entry  
w/o Keyless Entry
- 2 **Lens & Body Assy**  
w/Keyless Entry  
w/o Keyless Entry

R GD1E-51-3F0A  
L 8DG6-51-390  
R 8DG6-51-380  
L 8DG6-51-390  
R GD1E-51-38X  
L GA2K-51-39XB  
R GA2K-51-38XB